

50Hz

# iT0620 Ice Cube Machine

iT0620 Ice Cube Machine

## Models

- IRT0620A   
  IDT0620A   
  IYT0620A   
  IDT0620W   
  IYT0620W   
  IRT0620W



Indigo NXT Series iT0620 Ice Machine on D420 Bin

Designed for operators who know that ice is critical to their business, the Indigo NXT Series ice machine's preventative diagnostics continually monitor itself for reliable ice production. Improvements in cleanliness and programmability make your ice machine easy to own and less expensive to operate.

- **New levels of Performance** – Showcasing an average of 31% lower energy consumption, 16% reduction in potable water usage and a 32% reduction in condenser water usage. This translates into lower cost of ownership over the life of your machine.
- **easyTouch<sup>®</sup> Display** - New icon based touch screen takes the guess work out of owning and operating an ice machine.
- **Multiple Language Capability** - The easyTouch display is available in multiple languages selected in the initial start-up installation Wizard.
- **Programmable Ice Production** – Now its super easy to program your ice machine to be off at certain times of the day to save money with fluctuating electrical rates. Also programmable by daily ice production volume.
- **Easy to Clean Foodzone** – Hinge front door swing out for easy access. Removable water-trough, distribution tube, curtain, water probe and water pump for fast and efficient cleaning. Selected components are made with AlphaSan<sup>®</sup> antimicrobial.
- **Intelligent Diagnostics** – Provides 24 hour preventative maintenance and diagnostic feedback for trouble free operation.
- **Acoustical Ice Sensing Probe** – Unique patented technology allows for reliable operation in challenging water conditions and environments
- **DuraTech<sup>®</sup> Exterior** – Provides superior corrosion resistant above stainless steel. Innovative clear-coat resists fingerprints and dirt making it easier to keep clean.
- Available **LuminIce<sup>®</sup> II Growth Inhibitor** – Controls the growth of bacteria and yeast within the Food zone keeping the machine cleaner longer. A new indicator in the display keeps you abreast of the operational status.

## Ice Machine Electric

230/50/1

### Minimum circuit ampacity:

Air-cooled: 5.6  
Water-cooled: 5.4

### Maximum fuse size:

Air-cooled: 15A  
Water-cooled: 15A



## Specifications

### Operating Limits:

**BTU Per Hour:**  
5,400 (average),  
and 6,300 (peak)

- Ambient Temperature Range: 40° to 110°F (4.4° to 43.3° C)  
Water Temperature Range: 40° to 90°F (4.4° to 32.2° C)

### Refrigerant:

R410A CFS - Free  
Lowers global warming  
by 48%

- Water Pressure Ice Maker Water In:  
Min. 20 psi (137.9 kPa)  
Max. 80 psi (551.1 kPa)

## Ice Shape



**Half Dice**  
3/8" x 1 1/8" x 7/8"  
(.95 x 2.86 x 2.22 cm)  
Cube weight 5.7 g



**Dice**  
7/8" x 7/8" x 7/8"  
(2.22 x 2.22 x 2.22 cm)  
Cube weight 8.5 g



**Regular**  
1 1/8" x 1 1/8" x 7/8"  
(2.86 x 2.86 x 2.22 cm)  
Cube weight 14.2 g



COMPANY WITH  
QUALITY SYSTEM

6648 06/18

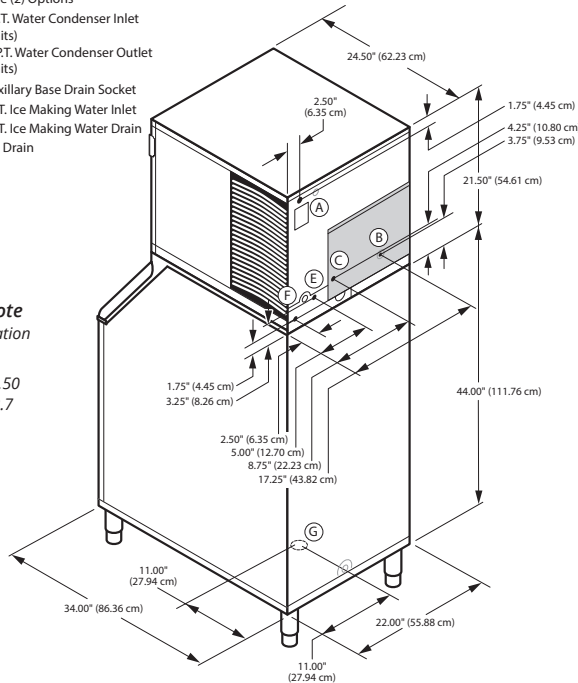


# 50Hz

Indigo<sup>®</sup> NXT™ iT0620 Ice Cube Machine

## iT0620 on D420 Storage Bin

- Ⓐ Electrical Entrance (2 Options)
- Ⓑ 3/8" (0.95 cm) F.P.T. Water Condenser Inlet (water-cooled units)
- Ⓒ 1/2" (1.27 cm) F.P.T. Water Condenser Outlet (water-cooled units)
- Ⓓ 1/2" (1.27 cm) Auxiliary Base Drain Socket
- Ⓔ 3/8" (0.95 cm) F.P.T. Ice Making Water Inlet
- Ⓕ 1/2" (1.27 cm) F.P.T. Ice Making Water Drain
- Ⓖ 3/4" (1.91 cm) Bin Drain



**Installation Note**  
Minimum installation clearance:  
Top/side: 12" (30.50 cm)  
Back is 5" (12.7 cm)

## Space-Saving Design



	iT0620 D-400	iT0620 D-420
Height	59.50" 151.13 cm	71.50" 181.61 cm
Width	30.00" 76.20 cm	22.00" 55.88 cm
Depth	34.00" 86.30 cm	34.00" 86.30 cm
Bin	365 lbs.	383 lbs.
Storage	166 kgs.	174 kgs.

Height includes adjustable bin legs 6.00" to 8.00", (15.24 to 20.32 cm) set at 6.00" (15.24 cm).  
Bin capacity is based on 90% of the volume x 33 lbs/ft<sup>3</sup> average density of ice.

K00443 bin adapter required for D400 bin. Sold separately

## Specifications

Order separately: Ice storage bin for all units. This product is hermetically sealed and contains fluorinated greenhouse gas R404A

	Model	Ice Shape	Ice Production 24 Hours		Power Usage kWh 45.4 kg / 100 lbs @ 32°Air / 21°C Water 90°Air / 70°F Water	Potable Water Usage/100 lbs. 45.4 kgs. of Ice
			21°Air / 10°C Water 70°Air / 50°F Water	32°Air / 21°C Water 90°Air / 70°F Water		
AIR COOLED	IRT0620A	regular	505 lbs.	390 lbs.	5.29	19.9 Gal. 75.3 L
			229 kgs	177 kgs		
	IDT0620A	dice	535 lbs.	430 lbs.	5.18	19.9 Gal. 75.3 L
WATER COOLED	IYT0620A	half-dice	535 lbs.	430 lbs.	4.97	19.9 Gal. 75.3 L
			243 kgs	195 kgs		
	IDT0620W	dice	510 lbs.	430 lbs.	4.13	19.9 Gal. 75.3 L
			231 kgs	195 kgs		
	IYT0620W	half-dice	495 lbs.	460 lbs.	4.04	19.9 Gal. 75.3 L
			225 kgs.	290 kgs		
IRT0620W	regular	485 lbs.	400 lbs.	4.20	19 Gal. 75.4 L	
220 kgs	181 kgs					

\* Water-cooled Condenser Water Usage / 100 lbs. /45.4 kgs. Of Ice: 140 gal/ 530 L.

## Accessories

**LuminIce<sup>®</sup> II Growth Inhibitor**  
reduces yeast and bacteria growth for a cleaner ice machine.



**External Scoop holder**  
Protect the ice scoop with the NSF approved versatile scoop holder.



**Arctic Pure<sup>®</sup> Water Filters**  
Reduces sediment and chlorine odors for better tasting ice.



Welbilt reserves the right to make changes to the design or specifications without prior notice.