

RFK-0620 Flake Ice Machine

Models

- RFK0620A RFK0620W



Model RFK-0620
Flake Ice Machine
on D-420 Bin

Standard Features

- Up to 320 kg (705 lbs) daily flake ice production
- High load maintenance free bearing for enhanced reliability
- Service updates facilitate installation and make cleaning easier
- Flake ice is perfect for food display, salad bars, and cold therapy/healthcare
- Ice forms around object without bruising and holds objects in place without tipping/spilling
- Heavy duty stainless steel cabinet resists corrosion



Specifications

BTU per hour:

Air: 5,200 (average)
Water: 2,250 (average)

Refrigerant: R452A

Operating Limits:

- Ambient Temperature Range: 10°-43°C (50°-110°F)
- Water Temperature Range 3°-32°C (37°-90°F)
- Water Pressure Ice Maker Water In
Min. 1 bar (14 psi)
Max. 6 bar (84 psi)
- Condenser Inlet Water In: (water-cooled only)

Min. 1.4 bar (20 psi)
Max. 10.3 bar (150 psi)

Water Condenser not for sea water applications.

Ice Machine Electric

220-240/50/1

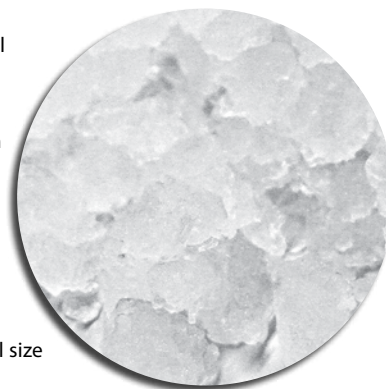
Ave power consumption:
1100 W

Maximum fuse size:
10 amps

HACR-type circuit breakers can be used in place of fuses.

Ice Shape

Flake ice is small hard bits of ice ideally suited for presentation applications.



Ice shown actual size



www.manitowocice.com

WA DEALER
PRACTICAL PRODUCTS PTY LTD

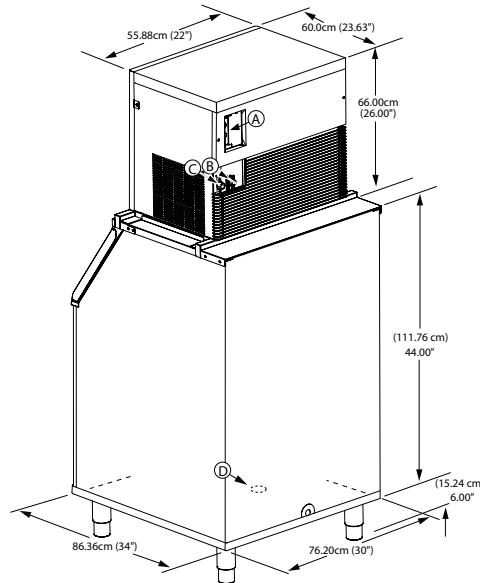
PH: 08 9302 1299
51 Paramount Dr Wangara WA 6065
sales@practicalproducts.com.au
www.practicalproducts.com.au





RFK-0620 Flake Ice Machine

RFK-0620 on D-420 Storage Bin



- Ⓐ Electrical Entrance (2) Options
- Ⓑ 0.95cm (3/8") N.P.T. Ice Making Water Inlet
- Ⓒ 1.27cm (1/2") N.P.T. Ice Making Water Drain
- Ⓓ 1.91cm (3/4") Bin Drain

Installation Note -

Minimum installation clearance:
 Top/sides: 20.32cm (8"),
 Back: 12.70cm (5").

Shipping Weight 93kg / 205lbs

Space-Saving Designs



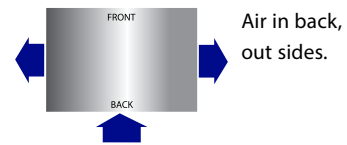
RFK-0620 on D-420	
Height	193.00cm 76.00"
Width	55.90cm 22"
Depth	86.36cm 34"
Bin Storage	140.7kgs 310 lbs

Height includes adjustable bin legs
 15.24 to 17.78cm, (6 to 7") set at
 15.24cm (6").

Accessories

K-00443 Bin Adapter needed for
 RFK-0620 on 30" D-400 or D-570 Ice Bin

Air Flow Overhead View



Model	Ice Shape	Ice Production 24 Hours Based on Air/Water Temp				Power kWh/45.4 kgs @ 32°Air/21°F Water	Potable Water Usage (45.4 kgs/ 100 lbs of Ice)	Condenser Water at 21/15°C 70°Air/60° F Water
		10° Air/7°C Water 50° Air/45°C Water	21° Air/15°C Water 70° Air/60° F Water					
RFK0620A-251	Flake	320 kgs	705 lbs	280 kgs	617 lbs	4.99 kWh	45.4 L/12 gal.	N/A
RFK0620W-251	Flake	320 kgs	705 lbs	280 kgs	617 lbs	4.99 k Wh	45.4 L/12 gal.	72 gal./272 L

Welbilt reserves the right to make changes to the design or specifications without prior notice.

www.manitowocice.com