

UFK-0350 Flake Ice Machines

Model

UFK-0350A



Model UFK-0350A
Flake Ice Machine

Standard Features

- Up to 175 kg (386 lbs) daily flake ice production.
- Up to 55 kg (121 lbs) ice storage capacity.
- Flake ice is perfect for food display, salad bars, and cold therapy/healthcare.
- High load maintenance free bearings for enhanced reliability.
- Heavy duty stainless steel cabinet resists corrosion.
- Easy access door, slides up & out of the way.



Standard Equipment

UFK-0350A

Ice Scoop, 15.24cm Bin Legs, Alternate Low Profile Legs Standard Legs Adjustable from 11.43 to 15.24cm Low Profile Non-Adjustable 0.64cm

Ice Machine Electric

220-240/50/1 ice machines are factory pre-wired with a 180cm (6') power cord with no plug.

Ave. power consumption: 700 W

Maximum fuse size: 10 amps.

HACR-type circuit breakers can be used in place of fuses

Specifications

Condenser Heat of Rejection (BTU per hour):

3,500 (average)

Compressor:

Nominal rating: ? HP

Refrigerant:

R452A

Operating Limits:

- Ambient Temperature Range: 10°-43°C (50°-110°F)
- Water Temperature Range: 3°-32°C (37°-90°F)
- Water Pressure Ice Maker Water In: Min. 1 bar (14 psi) Max. 6 bar (84 psi)

Ice Shape

Flake ice is small hard bits of ice ideally suited for presentation applications.



Ice shown actual size



COMPANY WITH
QUALITY SYSTEM

www.manitowocice.com

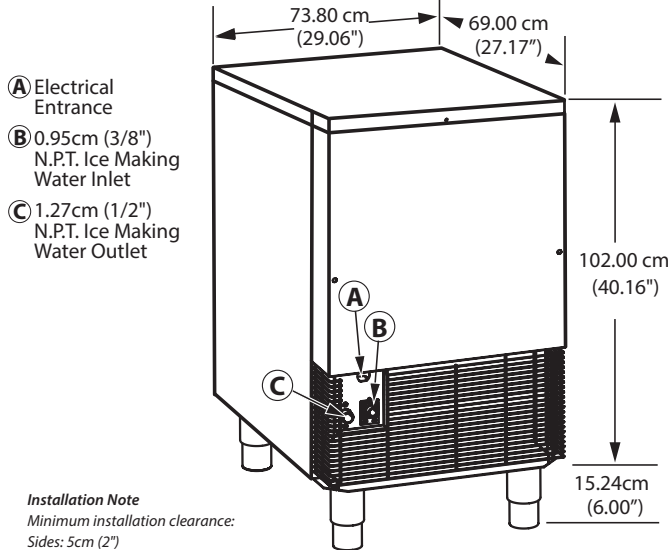
WA DEALER
PRACTICAL PRODUCTS PTY LTD

PH: 08 9302 1299
51 Paramount Dr Wangara WA 6065
sales@practicalproducts.com.au
www.practicalproducts.com.au





U FK-0350



Installation Note
Minimum installation clearance:
Sides: 5cm (2")
Back: 20cm (8")

Space-Saving Designs

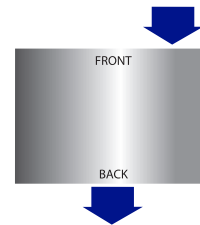


U FK-0350

Height	117.24cm 46.16"
Width	73.80cm 29.06"
Depth	69.00cm 27.17"
Bin Storage	55 kgs 121 lbs

Height includes adjustable bin legs 11.43cm to 15.24cm (4.5" to 6") set at 15.24cm (6").

Air Flow Overhead View



Air-cooled Ice Machine	Model	Ice Shape	Ice Production 24 Hours		Power kWh/100 lbs @ 90° Air/70°F 32° Air/21°C	Potable Water Usage (100 lbs./ 45.4 kgs of Ice)	Bin Storage	Shipping Weight
			70° Air/50°F Water 21° Air/10°C Water	90° Air/70°F Water 32° Air/21°C Water				
U FK-0350A	Flake		337 lbs.	293 lbs.	4.99 kWh	12 gal. 45.4 L	121 lbs. 55 kgs	231 lbs 105 kg
			153 kgs	133 kgs				

"A" following model number indicates "Air" condensing unit.

©2018 Welbilt. Continuing product improvement may necessitate change of specifications without notice.