

The latest MF MULTI FUNCTIONAL range of universal peelers have been developed to make food preparation easier and faster.

Designed for efficient and cost effective handling of root vegetables, potatoes, onions, salads and even shellfish, these units are commercial grade tough and reliable as well as being safe and easy to use.

MF peeler models are purpose designed and built to prepare a wide range of food products from the one machine.

Constructed to the highest standards using stainless steel and alloy parts throughout for a long trouble free operating life.

These models are fitted with door and lid safety switch interlocks and air break, and available in a range of capacities for worktop or floor mount.



MF5L

MF5L (F59/500)

CAPACITY 5KG

Includes 4 minute timer function, suitable for up to 130kg /hr

All stainless steel construction.

Supplied with carborundum peeling plate and hopper liner.

240V 0.25Kw supplied with 10A plug

MF5/10/15 ACCESSORIES

| DESCRIPTION |
|------------------------------|
| Knife peeling plate |
| Salad basket |
| Vegetable washing plate |
| Inlet Hose Kit, (all models) |
| Mussel washing plate |



MF10 -1PH

MF10-1PH (F59/510)

CAPACITY 10KG

Includes 4 minute timer function, suitable for up to 280kg /hr

All stainless steel construction.

Supplied with carborundum peeling plate and hopper liner.

240V 0.37Kw supplied with 10A plug



MF15 -1PH

MF15-1PH (F59/520)

CAPACITY 15KG

Includes 4 minute timer function, suitable for up to 400kg /hr

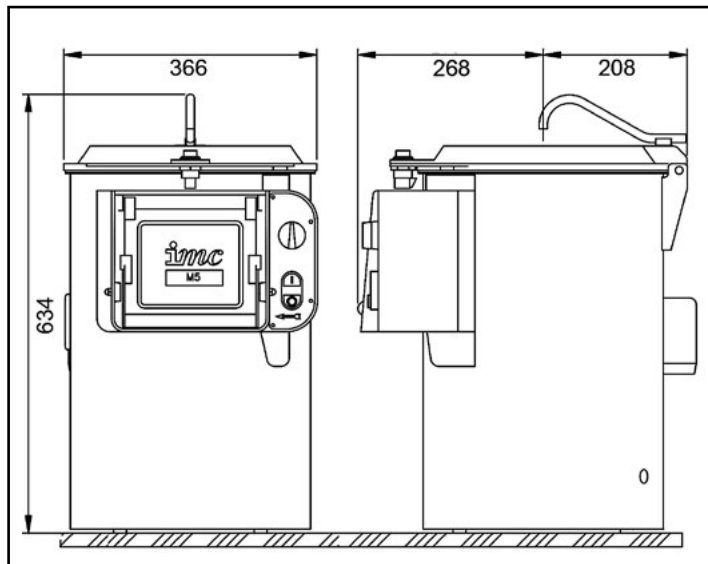
All stainless steel construction.

Supplied with carborundum peeling plate and hopper liner.

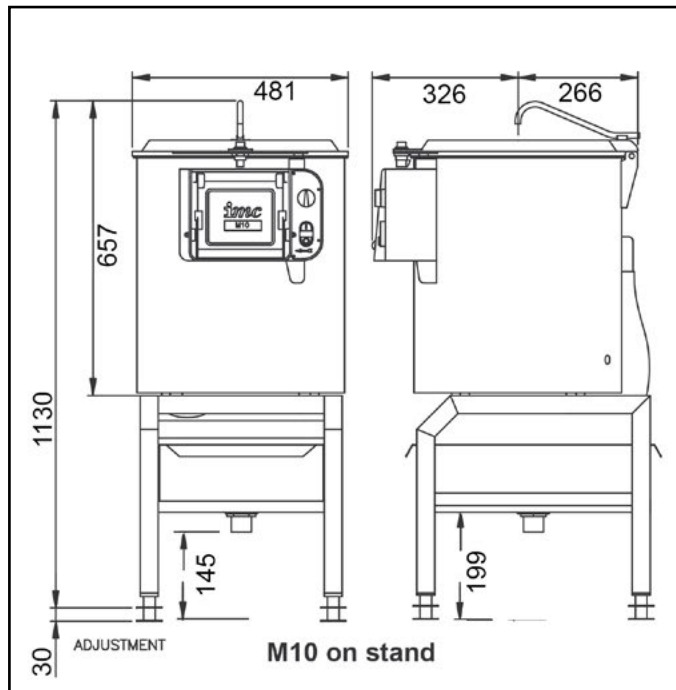
240V 0.37Kw supplied with 10A plug

MF SERIES PEELERS SPECIFICATIONS

MF5L

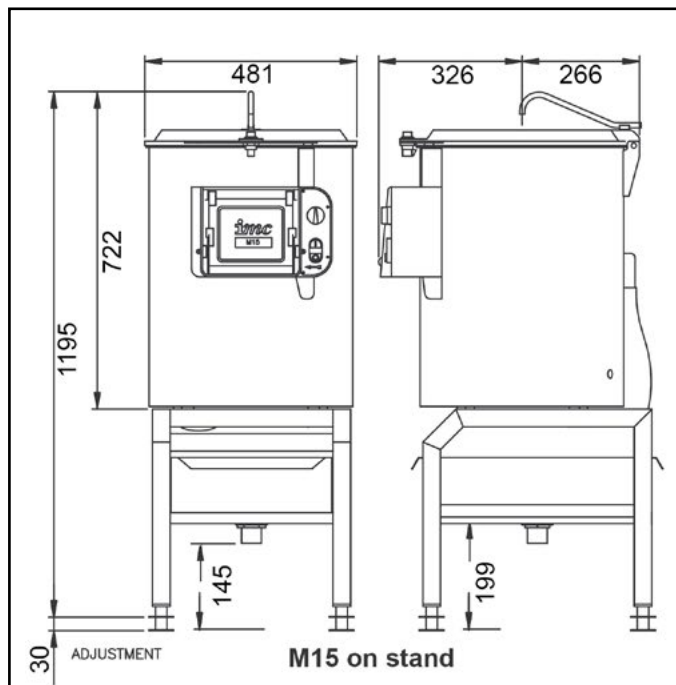


MF10-1PH



| Model | MF5 | MF10 | MF15 |
|---------------------------|-----------|-----------|-----------|
| Capacity | 5 kg | 10 kg | 15 kg |
| Output | 130 kg/hr | 280 kg/hr | 400 kg/hr |
| Motor | 0.25 kW | 0.37 kW | 0.37 kW |
| Voltage/Phase/Hz | 230-1-50 | 230-1-50 | 230-1-50 |
| Fuse rating single phase | 10 A | 15 A | 15 A |
| Fuse rating three phase | 5 A | 5 A | 5 A |
| Options | | | |
| Stand | ○ | * | * |
| Timer | * | * | * |
| Carborundum peeling plate | * | * | * |
| Onion peeling plate | ○ | ○ | ○ |
| Knife peeling plate | ○ | ○ | ○ |
| Washing plate | ○ | ○ | ○ |
| Mussel Washing plate | ○ | ○ | ○ |
| Salad spinning basket | ○ | ○ | ○ |
| Liner version | ○ | ○ | ○ |
| Filter basket | ○ | * | * |
| Inlet hose kit | ○ | ○ | ○ |
| Water control valve | ○ | ○ | ○ |

MF15-1PH



○ = Optional * = Standard

Due to our policy of continual product development and improvement, all details and specification are subject to change without notice