

## C9D-B

### 900mm Six Burner Gas Cooktop Bench Model



C9D-B

- Countertop Bench Model
- 900mm wide
- 6 open burners
- 22MJ open burner rating
- Flame failure standard on open burners
- Optional pilot and flame failure on open burners
- Cast iron burners and vitreous enamel potstands
- Adjustable bench feet
- Stainless steel finish

#### Also Available



C9A-B



C9B-B



C9C-B

#### OVERALL CONSTRUCTION

- Cast iron open burner heads with vitreous enamelled cast iron caps
- Vitreous enamelled potstands
- Vitreous enamelled control panel
- Stainless steel front, sides and splashback
- Stainless steel spill tray
- 63mm dia. stainless steel adjustable bench feet

#### CONTROLS

- Large easy use control knobs
- Variable high to low controls to open burners
- Flame failure standard on open burners
- Optional pilot and flame failure on open burners

#### CLEANING AND SERVICING

- Easy clean stainless steel exterior
- Vitreous enamelled potstands and burner caps
- Lift off open burner caps and removable burners
- Removable spill trays
- Access to all parts from front of unit

#### Matching Products



CW2H



CSP6



CN4



CT9



CW3H



CW1H



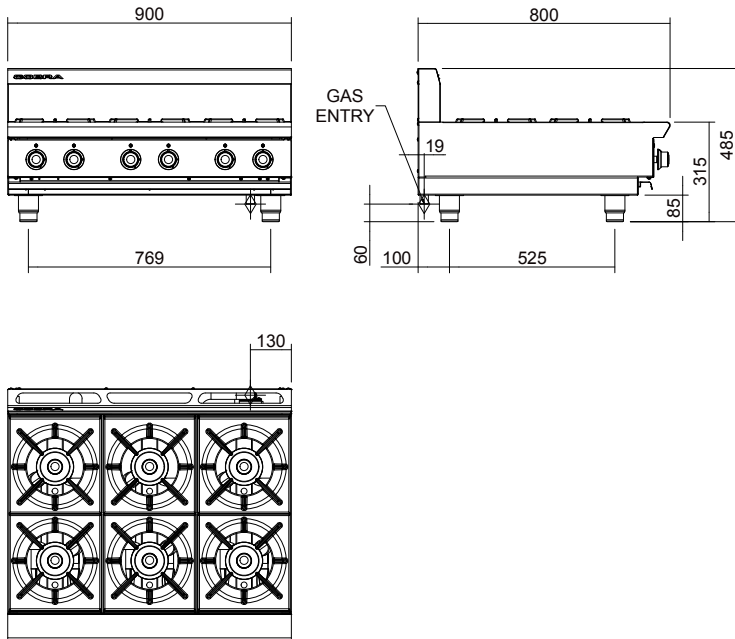
CP4



CS9 / C900-S

## C9D-B

### 900mm Six Burner Gas Cooktop Bench Model



C9D-B

#### SPECIFICATIONS

##### Burners

Open Burners;  
22MJ/hr, 5.5kW each

##### Gas power (gross)

C9D 132MJ/hr, 36.7kW

##### Gas connection

R 3/4 (BSP) male  
130mm from RH side, 20mm from  
rear, and 60mm from bench

##### Dimensions

Width 900mm  
Depth 800mm  
Height 315mm  
Incl. splashback 485mm  
Nett weight  
61.5kg

##### Packing data

0.72m<sup>3</sup>, 98kg  
Width 1010mm  
Depth 955mm  
Height 750mm

##### Gas types

Available in Natural gas and LP gas,  
please specify when ordering  
Other gas types on request



Cert. No. AGA 7225G

an Ali Group Company



The Spirit of Excellence

**WA DEALER**  
**PRACTICAL PRODUCTS PTY LTD**

PH: 08 9302 1299  
51 Paramount Dr Wangara WA 6065  
sales@practicalproducts.com.au  
www.practicalproducts.com.au