

Technical data sheet for

# FAST FRI SINGLE PAN ELECTRIC FRYER 450mm

FN8127E



- 17kW high performance
- Easy clean stainless steel year limited warranty
- 27L oil capacity
- 32mm (1 1/4") drain valve
- Stainless steel exterior
- Easy service
- Fully modular
- Low back model (FNL) a

## Overall Construction

- Stainless steel pan
- Bull nose welded 1.5mm 304 stainless
- Splashback 1.5mm 304 stainless steel
- Side panels 1.2mm 304 stainless steel
- Double skin door with 0.9mm 304 stainless steel
- Hinge out counterbalanced heating element
- 32mm (1 1/4") drain valve
- 150mm legs in 63mm dia. heavy-duty adjustable feet
- 2 baskets and stainless steel lid supplied

## Controls

- Mechanical thermostat
- Thermostat range 90-200°C
- Large easy use control with easy view
- Fail-safe over-temperature safety cut
- Element tilt switch for heating cut-out
- Indicator lights for power and heating

## Cleaning and Servicing

- Open stainless steel pan with hinge open
- Easy clean basket support bar
- 32mm (1 1/4") drain valve for effective
- Easy clean stainless steel exterior
- Access to all controls from front of unit

# Technical data sheet for **FAST FRI SINGLE PAN ELECTRIC FRYER 450mm**

## Specifications

### Production rate

31kg/hr

### Pan Size

Oil capacity 27L (50lbs shortening)

Width 365mm

Length 380mm

Oil frying depth 95mm

### Baskets

2 chrome plated wire baskets  
140mm W x 335mm D x 145mm H

### Elements

3 x 5.66kW stainless steel heating elements

### Electrical requirements

17kW, 400-415Vac, 50/60hz, 3P+N+E

L1 23.6A

L2 23.6A

L3 23.6A

### Electrical Connection

62mm from RH side, 365mm from rear,  
and 441mm from floor

### DIMENSIONS

Width 450mm

Depth 805mm

Height 915mm

Incl. splashback 1130mm

Incl. low back 1085mm

### NETT WEIGHT

64kg

### PACKING DATA

0.54m<sup>3</sup>, 105kg

Width 870mm

Depth 495mm

Height 1255mm

### OPTIONS AT EXTRA COST

Waldorf Filtamax filtration system

Extra baskets

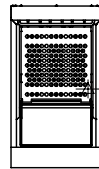
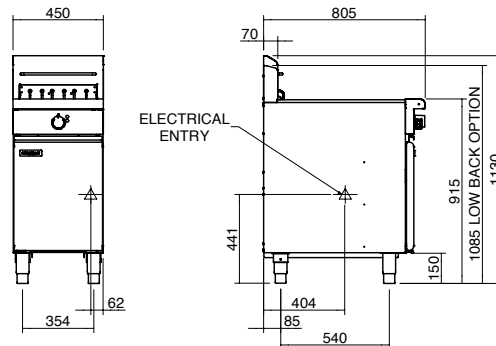
Side splash guards

Joining caps

Castors

Plinth mounting

FN8127E



**WA DEALER  
PRACTICAL PRODUCTS PTY LTD**

PH: 08 9302 1299  
51 Paramount Dr Wangara WA 6065  
sales@practicalproducts.com.au  
www.practicalproducts.com.au