

VFX Series

Food Display

Freezer or Ice

Display or Storage

Display or store frozen food in style and save money on power with our popular upright freezer range.

A sleek update of our premium, energy efficient freezers, featuring triple glazed frameless glass doors and redesigned louvre. Create a seamless modern look by combining these freezers with SKOPE ActiveCore™ fridges and BackBar X series.



VF650X & VF650X Ice

VF1000X & VF1000X Ice

VF1300X & VF1300X Ice

VF1500X & VF1500X Ice

Standard finishes: White, black & stainless steel

Standard models: 1, 2 & 3 glass or solid door



Warranty
2 year protection



Food-Safe
Keeps food below 5°C



High Efficiency
Major Energy Savings



Compliance
Independently Verified

Best Suited to:



Restaurants / Cafés



Quick Service Restaurants



Clubs / Pubs / Bars

Quick Guide

VFX Series

Premium build quality	✓
Freezer or Ice	✓
High efficiency models	✓
High ambient conditions	✓
SKOPE premium controller	✓
Glass or solid doors	✓
Remote available	✓
Customisable	✓

Standard Features

SKOPE premium controller
Frameless glass door design
Premium quality long life LED lights
Redesigned internal airflow
Updated louvre blade design
Low noise fan system
Swing door design

Benefits

Easy to use with pre-programmed features
Modern appealing look
Ensures effective product merchandising
Maintain perfect temperatures
Quick access for maintenance & service
Quiet operation
Effective closure in a busy environment

Options

<ul style="list-style-type: none"> Stainless steel finish Full powdercoat colour range Remote Solid doors Barrel door lock Lit sign 1 year extended warranty 	<ul style="list-style-type: none"> No Ice decal on LED sign Extra shelf & slides/clips Internal LED lighting (solid door) Gravity feed shelving Stainless steel punched shelves
---	--

Specifications

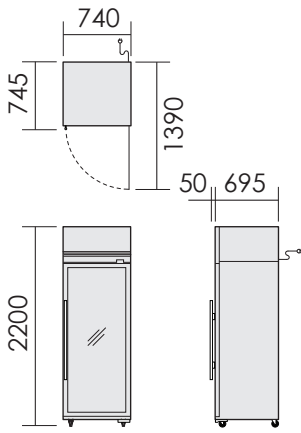
Fridge/Freezer - doors	VF650X			VF1000X			VF1300X		
	1 door			2 door			2 door		
	Freezer	Ice		Freezer	Ice		Freezer	Ice	
Self Contained/Remote	Self Contained	Remote	Integral	Self Contained	Remote	Integral	Self Contained	Remote	Integral
Model ID	VF650X	VF650Xr	VF650X-ICE	VF1000X	VF1000Xr	VF1000X-ICE	VF1300X	VF1300Xr	VF1300X-ICE
External									
Dimensions (W x D x H mm)	740 x 745 x 2200			1130 x 745 x 2210			1480 x 745 x 2210		
Total floor area (m ²)	0.55			0.84			1.05		
Weight (kg)	207	187	196	292	262	275	347	262	313
Door	Heated Glass			Heated Glass			Heated Glass		
Electronic controller	Yes			Yes			Yes		
Remote duty (Watts @ SST)	N/A	820 @ -30°C	N/A	N/A	1280 @ -30°C	N/A	N/A	1500 @ -30°C	N/A
Breathes from / Expels air to	Front top / Top			Front top / Top			Front top / Top		
Cabinet construction	Powder coated galv steel			Powder coated galv steel			Powder coated galv steel		
Drainage (plumbing required)	No	Yes	No	No	Yes	No	No	Yes	No
Internal									
Gross volume (litres)	610			980			1310		
Lighting	1 x LED module			2 x LED module			2 x LED module		
No. of shelves (per door)	5		1	5		1	5		1
Shelf design	White / Black / SS			White / Black / SS			White / Black / SS		
Total shelf area (m ²)	0.55			0.84			1.05		
Performance									
MEPS category (L1 Frozen food)	L1		L1	L1		L1	L1		L1
MEPS efficiency (kWh/24h/m ²) @ Climate Class 3	24.27		24.27	25.73		25.73	22.36		22.36
TEC (kWh/24h) @ Climate Class 3	16.80		16.80	25.79		25.79	30.93		30.93
Temperature range	-18°C to -21°C		-9°C to -12°C	-18°C to -21°C		-9°C to -12°C	-18°C to -21°C		-9°C to -12°C
High efficiency model	Yes			Yes			Yes		
Maximum ambient temperature	40°C		32°C	40°C		32°C	40°C		32°C
Climate Class rating	5		4	5		4	5		4
Refrigerant / charge	R404A / 700g			R404A / 950g			R404A / 950g		
Total display area (m ²)	0.69			1.00			1.38		
Electrical									
Electrical power (kW)	1.8	0.24	1.8	2.16	0.34	2.16	2.16	0.65	2.16
Current draw (Amps)	5.3	1.00	5.3	7.8	1.4	7.8	7.8	2.7	7.8
10 Amp 3 pin plug	Yes			Yes			Yes		
Light switch on controller	Yes			Yes			Yes		

VF1500X

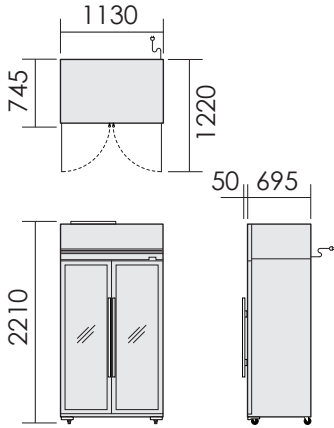
3 door		
Freezer	Ice	
Self Contained	Remote	Integral
VF1500X	VF1500Xr	VF1500X-ICE
1706 x 745 x 2200		
1.27		
372	332	333
Heated Glass		
Yes		
N/A	1900 @ -30°C	N/A
Front top / Top		
Powder coated galv steel		
No	Yes	No
1500		
3 x LED module		
5	1	
White / Black / SS		
1.27		
L1	L1	
32.09	32.09	
48.26	48.26	
18°C to -21°C	-9°C to -12°C	
Yes		
40°C	32°C	
5	4	
R404A/700g		
1.50		
3.36	0.7	3.36
14	2.9	14
Yes x 2		
Yes		

Line Drawings

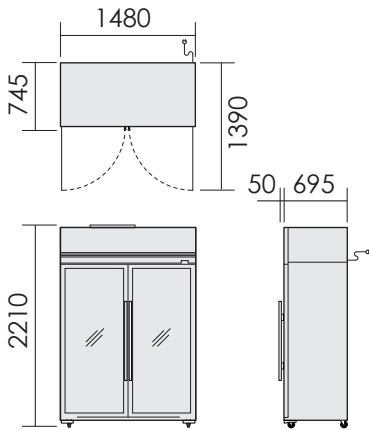
VF650X



VF1000X

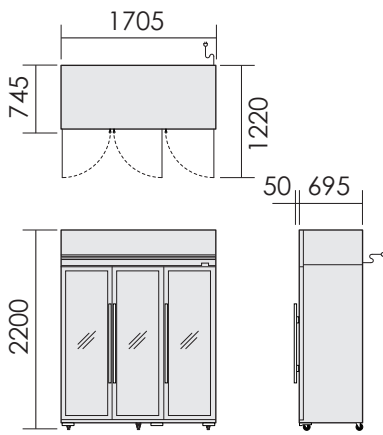


VF1300X

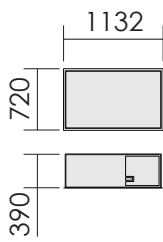


Line Drawings

VF1500X



VF Ice Drop-In



The product information presented is for guideline purposes only. Always refer to the latest product specification sheet for accuracy and detail, and allow for dimensional tolerances (see glossary).