

Technical data sheet for

## **E23T3 ON THE SK23T STAND**

Half Size Electric Convection Oven

TOUCH SCREEN CONTROL on a Stainless Steel Stand



### **E23T3**

Unit shall be a Moffat electrically heated Turbofan convection oven. The oven shall have a one piece vitreous enamel oven chamber, stainless top and sides and safe touch vented easy clean drop down door. Oven shall have capacity for three half size sheet pans. The oven shall have 2.8kW heating elements. The oven shall have a bi-directional single reversing fan system and feature a single halogen oven lamp. The oven shall feature a programmable Touch Screen menu controller. Oven shall be able to be bench mounted on 76mm feet or mounted on oven stand model SK23T. Oven shall be fitted with a 15A plug-in cordset. Unit shall be supplied in 100% recyclable shipping packaging.

### **SK23T**

Unit shall be a Moffat Turbofan stainless steel oven stand. The stand shall be constructed from stainless steel tube with castors, with front castors having dual swivel and wheel locks. It shall be fitted with 6 tray runners suitable for half size sheet pans. The stand shall be fully compatible with, and support, Turbofan Convection Oven model E23T3. Unit shall be supplied in 100% recyclable shipping packaging.

### **STANDARD FEATURES**

- 3 460mm x 330mm / 18" x 13" half size sheet pan capacity
- 3 GN 2/3 pan capacity
- 85mm tray spacing
- Compact 745mm width
- Touch Screen control
- Icon driven program menu
- USB port for program/icon updating
- Individual shelf timers
- Multi-stage programs
- Steam injection mode and manual injection
- Bi-directional reversing fan system
- 2.8kW heating
- 15A plug-in cordset fitted
- Vitreous enameled oven chamber
- Plug-in continuous oven door seal
- Safe-Touch vented drop down door
- Stay-Cool door handle
- Heavy-duty door hinges
- Easy clean door glass system
- Halogen oven lamp
- Dia. 180mm full stainless steel oven fan
- Anti-skid 50mm dia. 76mm high adjustable stainless steel feet
- 3 oven wire racks supplied
- 100% recyclable packaging

### **ACCESSORIES**

- Turbofan SK23T Oven Stand

# turbofan<sup>®</sup>

**E23T3**

## E23T3 Half Size Electric Convection Oven TOUCH SCREEN CONTROL on a Stainless Steel Stand

### CONSTRUCTION

Vitreous enameled fully welded oven chamber  
Stainless steel front, sides and top exterior  
Stainless steel oven fan baffle and oven vent  
Removable 3 position chrome plated wire side racks  
Oven racks chrome plated wire (3 supplied)  
Stainless steel frame drop down hinged door  
5mm thick door outer glass  
5mm thick low energy loss door inner glass  
Heavy-duty counterbalanced door hinges  
Wear resistant powder coated welded door handle  
Stainless steel control panel  
Aluminised coated steel base and rear panels

### CONTROLS

5.7" LED backlit touch screen  
Icon driven program menu  
BMP image icon imports via USB port  
Temperature range 50-260°C  
Individual shelf timers  
Multi-stage programs  
Over-temperature safety cut-out

### CLEANING

Stainless steel top and sides continuous exterior panel  
Vitreous enameled oven chamber  
Fully removable chrome plated oven side racks  
Removable stainless steel oven fan baffle  
Full stainless steel oven fan  
Easy clean door system with hinge out door inner glass (no tools required)  
Removable plug-in oven door seal (no tools required)  
76mm high stainless steel feet for easy access underside

### SPECIFICATIONS

Electrical Requirements  
230-240V, 50Hz, 1P+N+E, 3kW, 12A  
15A cordset fitted

Water Requirements (optional)  
Cold water connection 3/4" BSP male  
80psi maximum inlet pressure / 20psi minimum inlet pressure

### External Dimensions

Width 745mm  
Height 512mm including 76mm feet  
Depth 643mm

### Oven Internal Dimensions

Width 495mm  
Height 305mm  
Depth 340mm  
Volume 0.51m<sup>3</sup>

### Oven Rack Dimensions

Width 460mm  
Depth 330mm  
Nett Weight (E23T3)  
42.4kg

### Packing Data (E23T3)

54.6kg  
0.36m<sup>3</sup>  
Width 755mm  
Height 585mm  
Depth 810mm

## SK23T Stainless Steel Stand

All stainless steel welded frame oven stand for Turbofan E23T3 Series oven  
6 position tray runners standard  
76mm diameter wheel swivel castors standard with 2 front castors with dual swivel and wheel  
Welded 38mm and 32mm square tube front and rear frames  
Welded rack supports/side frames  
4 dia. 76mm swivel castors with 2 front castors dual wheel and swivel lock  
Top frame oven supports suit Turbofan E23T3 Series Oven mounting  
Supplied CKD for assembly on site

### External Dimensions (SK23T Oven Stand)

Width 735mm  
Height 880mm  
Depth 530mm

### Nett Weight (SK23T Oven Stand)

17kg

### Packing Data (SK23T Oven Stand)

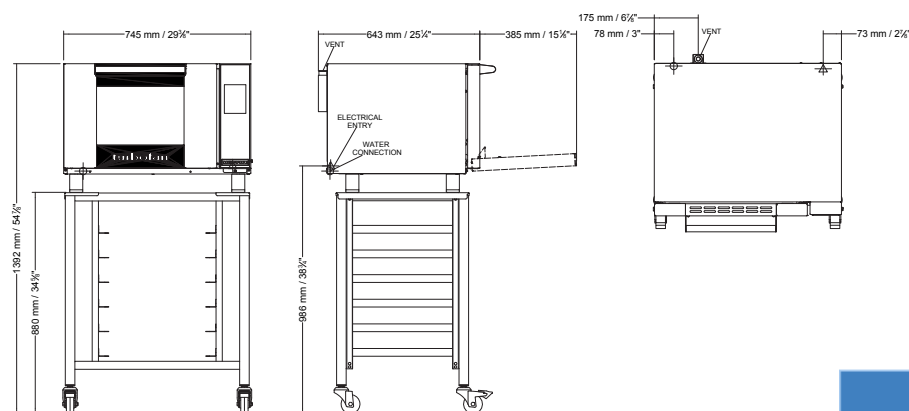
19kg  
0.11m<sup>3</sup>  
Width 765mm  
Height 900mm  
Depth 152mm

### INSTALLATION CLEARANCES

Rear 25mm  
LH Side 25mm  
RH Side 25mm

### CLEARANCE FROM SOURCES OF HEAT

A minimum distance of 300mm from the appliance sides is required



**WA DEALER**  
**PRACTICAL PRODUCTS PTY LTD**

an Ali Group Company



The Spirit of Excellence

PH: 08 9302 1299  
51 Paramount Dr Wangara WA 6065  
sales@practicalproducts.com.au  
www.practicalproducts.com.au