

robot coupe®



Blixer® 23 • Blixer® 30
Blixer® 45 • Blixer® 60



HOSPITALS - NURSING HOMES - CRÈCHES - RESTAURANTS

Blixer® 23 • 30 • 45 • 60

Control panel

- **0-15 minute timer.** When the appliance is used, it automatically repeats the processing time selected on the previous occasion, unless the user sets a different one.
- **Stainless-steel control buttons flush with the casing,** making them easier to clean and longer lasting.
- **Safety indicator lights** to ensure risk-free use.
- **Pulse control** for greater cutting precision.

Bowl-base blade assembly

- Exclusive to Robot-Coupe, ensuring total homogeneity of processed foodstuffs, even when small amounts are involved.

Bowl

- **Tilting bowl** making it easier to empty.
- **Removable bowl,** exclusive to Robot-Coupe, for hassle-free cleaning

Frame

- 100% stainless-steel with system of 3 sturdy built-in legs :
 - ensuring total stability of the appliance and risk-free use,
 - taking up very little space,
 - making cleaning easier.

Lid

- **Transparent polycarbonate lid** to enable user to monitor processing.
- **Watertight lid** requiring a single movement to lock it into position.
- Lid specially designed to direct liquid back into processing bowl when opened.
- **Opening in centre of lid** for adding liquid or dry ingredients during processing.
- **Lid and seal designed to be dismantled** simply and quickly for thorough cleaning.

Bowl scraper

- To improve the turbulence and consequently the end-product consistency.

Tilting lever

- Ergonomic lever enabling the user to tilt the bowl at various angles, even horizontally.

Wheels

- **3 retractable wheels** making it easier to move the appliance in order to clean the surface underneath.



THE BLIXER®



The Products Plus :

2 functions in 1 !

- The Blixers combine the features of two well-known appliances: the cutter and the blender/mixer.
The Blixers will easily realise your mixed, raw or cooked, liquid, semi-liquid or pasty meals.

Efficacy:

- With their large liquid capacity and leak proof lid, with built in scraper, these models make it simple to prepare all types of mixed and liquidized food, even for tube feeding.

Ease of use:

- All stainless steel machine for space saving, built with a removable bowl and tilting seal for easier cleaning and to empty the bowl easily.
- Control panel designed for a simple and reliable use, and equipped with a timer for a better preparation control.



Number of covers:

from 100 to 3000 +



Quantities processed by operation:

from 4 to 45 kg



Target:

Hospitals, Nursing homes, Crèches, Restaurants



In brief:

Blixers are quick, efficient, simple to use and robust. Add to this guarantee of a perfectly finished end product that contains all the goodness and flavour of the pre-liquidized food.

EXAMPLES OF USE

HOSPITAL USES

SPOON FEEDING

- Minced foods: meat, fish, etc.
- Mousses: vegetables, fish, etc.
- Vegetables purees
- Compotes of stewed fruits.



SEMI-LIQUID FEEDING

This simply entails diluting spoon-feeding preparations:

- soups / creamed soups
- minced meat + gravy
- puree + liquid (broth, milk, etc.)
- fruits compotes + syrup or water



LIQUID FEEDING (for use via tubes)

- Soups and any preparations that can be liquidized.



DELICATESSENS USES

• Butter mixtures:

snail butter, salmon butter, anchovie butter...

- **Sauces:** green sauce, mayonnaise, remoulade, ailloli, emulsified sauces with tomatoes, cream, parsley...



- **Vegetable mousses.**

- **Grinding:** lobster, scampi, seashells...

PHARMACEUTICAL AND CHEMICAL LABORATORY USES

• Grinding:

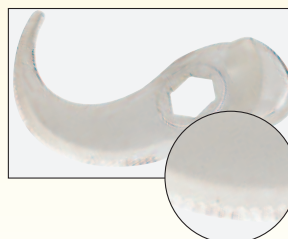
herbs, seeds, powders, tablets...

• Mixing:

homogenization of creams, ointments, mixed components, varied ingredients...

Models	Blixer 23	Blixer 30	Blixer 45	Blixer 60
Bowl capacity (in litres)	23	28	45	60
Speeds (Rpm)	1500 to 3000	1500 to 3000	1500 to 3000	1500 to 3000
Timer	●	●	●	●
No. of servings	100 to 400 +	100 to 500 +	200 to 1000 +	300 to 3000 +
Maximum quantities processed	4 to 15 kg	4 to 20 kg	6 to 30 kg	6 to 45 kg

BLADES



Fine serrated edge for all blending tasks, as well as for homogeneous and smooth-textured preparations.

In order to guarantee perfect results every time, Robot-Coupe has developed **new patented blade profiles** providing optimum cutting quality. **Perfectly balanced** to prevent any vibration, these blades are available with three different types of edge.

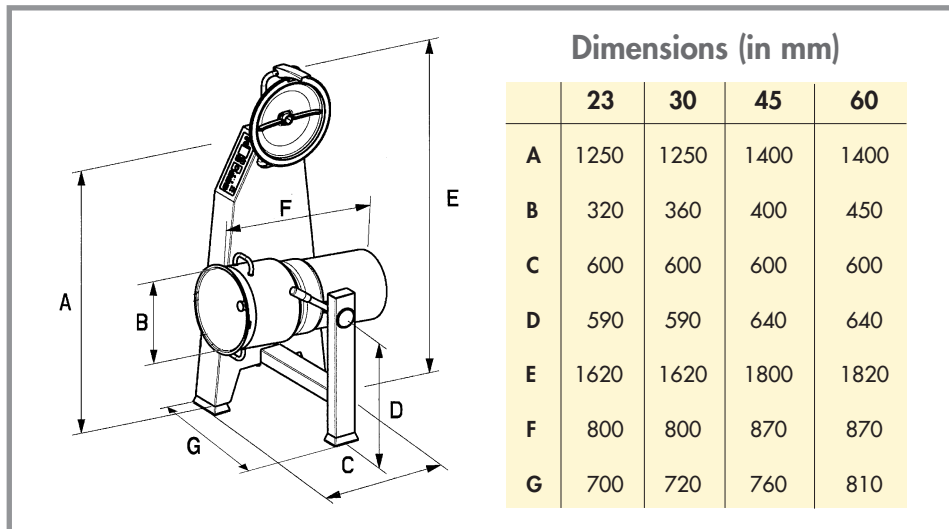


Delivered with a **fine serrated 2-blade assembly**

To obtain the best results, it is important to get the spacing between the blades right and to take into account the maximum processing capacities (see table).

robot coupe®

Blixer® 23 • Blixer® 30
Blixer® 45 • Blixer® 60



Electrical data

Speeds 1500 - 3000 Rpm
 400 V/50 Hz • Three-phase
 Blixer 23 : 4500 W - 18 Amp.
 Blixer 30 : 5400 W - 18 Amp.
 Blixer 45 : 9000 W - 24 Amp.
 Blixer 60 : 11 000 W - 35 Amp.

Other voltages available.

Weight

Blixer 23 : Net 110 kg - Gross 131 kg
 Blixer 30 : Net 110 kg - Gross 131 kg
 Blixer 45 : Net 138 kg - Gross 165 kg
 Blixer 60 : Net 150 kg - Gross 177 kg

As inventors and market leaders, Robot-Coupe offers the most complete range of Blixers®, a choice of models with capacities ranging from 2.9 litres to 60 litres.



STANDARDS: MACHINES IN COMPLIANCE WITH:

- The following European directives and related national legislation: 2006/42/EC, 2006/95/EEC, 2004/108/EC, 89/109/EEC, 2002/72/EC.
- The following European harmonized standards and standards setting out health and safety rules: EN ISO 12100 - 1 and 2 - 2003, EN 60204 -1 (2006), EN 12853.

INDEXES OF PROTECTION: • IP 55 for the switches. • IP 34 for the machines.



MADE IN FRANCE BY ROBOT-COUCPE S.N.C.

Head Office, French, Export and Marketing Department:
 Tel.: + 33 1 43 98 88 33 - Fax: + 33 1 43 74 36 26
 email: international@robot-coupe.com

Robot-Coupe Australia: T (02) 9478 0300 - F (02) 9460 7972
 email: orders@robotcoupe.com.au

Robot-Coupe U.K. LTD: Tel.: 020 8232 1800 - Fax : 020 8568 4966
 2, Fleming Way, Isleworth, Middlesex TW7 6EU
 email: sales@robotcoupe.co.uk

Robot-Coupe U.S.A.: Ph.: 1-800-824-1646 - Fax : 601-898-9134
 email: info@robotcoupeusa.com

www.robot-coupe.com

DISTRIBUTOR

We reserve the right to alter at any time without notice the technical specifications of this appliance. None of the information contained in this document is of a contractual nature. Modifications may be made at any time.
 © All rights reserved for all countries by : ROBOT-COUCPE S.N.C.