

### Superior cooking results FAST!:

- Enhanced cavity airflow for perfect browning & crisping
- 3000W impingement enhances toasting and browning.
- Easily adjustable 0-100% fan speed.
- 95° - 270°C temperature range cooks a variety of items
- 1000 or 2000W top antenna feed microwave system heats quickly, reduces cooking time.

### Minimized footprint, maximized cavity design:

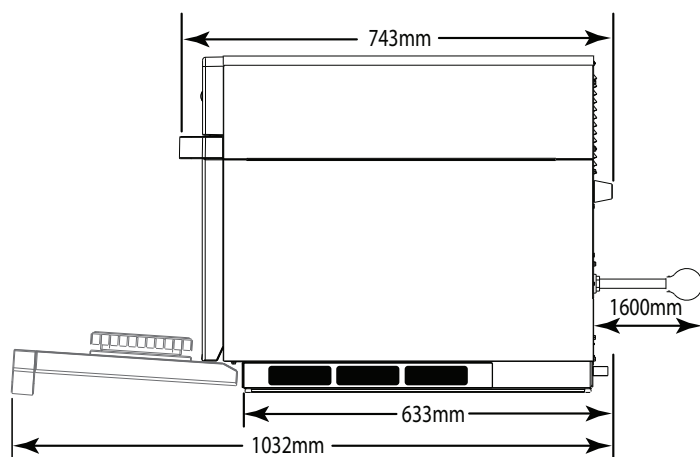
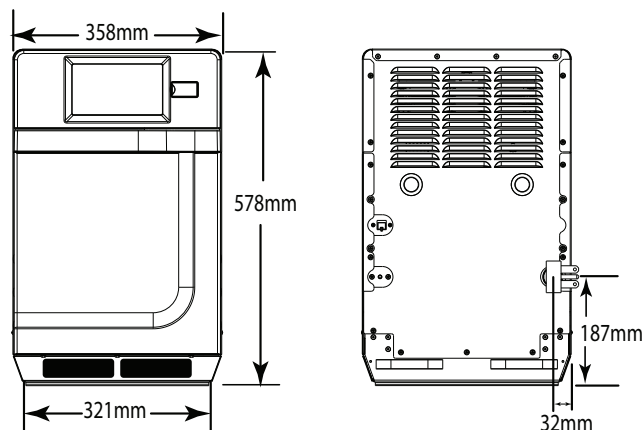
- Compact footprint fits on 71cm (28") deep counter.
- Flexibility to install with or without 10cm (4") leg kit
- Easily accommodates a 30cm (12") pizza

### STANDARD FEATURES

- Cook plate (CP10)
- Oven paddle (PA10)
- Non-stick liners (TL10R)

### OPTIONAL FEATURES

- Panini grill plate (RGR10)
- 102mm Leg kit (LG10)
- Compact oven paddle (PA10R)
- Non-stick baskets (TB10, SB10, TB10S, SB10S)
- Back Cover Panel (BC10R)
- Stainless dual-oven stacking cart (SC10R)
- Stainless cart/equipment stands: (CA24, CA30)



### DIMENSIONS

External dimensions: 358W x 743D x 578H mm

Internal cavity: 312W x 312D x 178H mm

### POWER SUPPLY

415V 50Hz, 3 phase, 20A plug

### TECHNICAL DATA

Power output: 5450W Total  
3000W Impingement,  
2000W Microwave

Internal cavity volume: 17.2 litres

External cabinet finish: Stainless steel & Painted Steel

Internal cavity finish: Stainless steel & Teflon liner (replaceable)

Memory programs: 1200+

Power levels: 11

Product weight: 61kg

Shipping weight: 69kg

Magnetrons: 2

Clearance: 51mm top & 13mm sides

SPECIFICATIONS ARE SUBJECT TO CHANGE WITHOUT NOTICE.

**WA DEALER**  
**PRACTICAL PRODUCTS PTY LTD**

PH: 08 9302 1299  
51 Paramount Dr Wangara WA 6065  
sales@practicalproducts.com.au  
www.practicalproducts.com.au