

Single Plate Contact Toaster

The Pro-Series contact toasters are equipped with a host of features that improve performance, functionality and ease of cleaning.

Used in quick service restaurants around the globe, these are the true professionals' choice.

FEATURES & BENEFITS

- Single piece stainless steel plate and protective upstand
- Single top plate (350 x 350mm) and one large bottom plate (400 x 360mm)
- Excellent heat distribution across entire cooking surface
- Smooth internal corners for easy cleaning
- Large removable grease tray
- Easily removable protective heat shields for increased operational safety – dishwasher safe
- Simple to use manually adjustable thermostat and temperature control
- The top-plate is assisted by gas struts to enable effortless and safe lifting operation and ensures gentle pressure for optimal toasting
- Design of lifting mechanism ensures the plate will not fall down and cause burns to operators
- Drip-proof ventilation grills on rear and side of unit
- Cut proof, high temperature resistant blue polyurethane supplied cord



W.GPC350



Protective heat shield and rigid handle



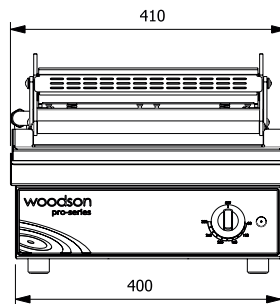
Smooth internal corners for easy cleaning



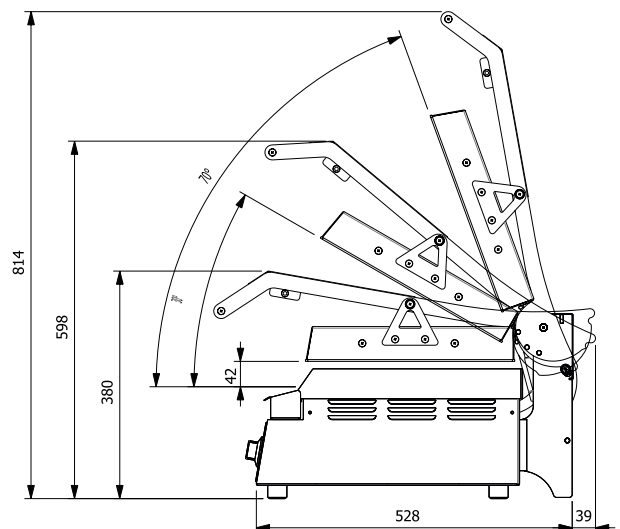
Control panel

SPECIFICATIONS

kW 2.2 Amps 10
Width 410 Depth 630
Height (open) 814 Height (Closed) 331
Weight 22kg



Front View



Side View

Dealer: _____

WESTERN AUSTRALIAN DEALER
Practical Products Pty Ltd
51 Paramount Drive Wangara WA 6065
Ph: 08 9302 1299
Email: sales@practicalproducts.com.au
Website: www.practicalproducts.com.au