

# Twin Plate Contact Toaster

**The Pro-Series contact toasters are equipped with a host of features that improve performance, functionality and ease of cleaning.**

**Used in quick service restaurants around the globe, these are the true professionals' choice.**



New energy saving plate selection control



Protective heat shield and rigid handle



Twin thermostat controls on rear of unit

## FEATURES & BENEFITS

- Single piece stainless steel plate and protective upstand
- 2 top plates (188 x 300mm) and one large bottom plate (460 x 320mm)
- Excellent heat distribution across entire cooking surface
- Smooth internal corners for easy cleaning
- Large removable grease tray
- Easily removable protective heat shields for increased operational safety – dishwasher safe
- 3 mode operation – Both plates, bottom plate only and standby - For increased energy efficiency (Reduces energy costs during non-busy periods)
- Eight programmable timer settings with one touch operation to achieve consistent results
- The top-plates are assisted by gas struts to enable effortless and safe lifting operation and ensures gentle pressure for optimal toasting
- Design of lifting mechanism ensures the plate will not fall down and cause burns to operators
- Drip-proof ventilation grills on rear and side of unit
- Dual-adjustable thermostats at rear of unit control temperatures for operation modes
- LED timer display
- Cut proof, high temperature resistant blue polyurethane supplied cord

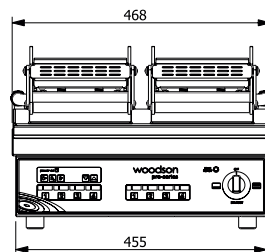


## W.GPC62SC

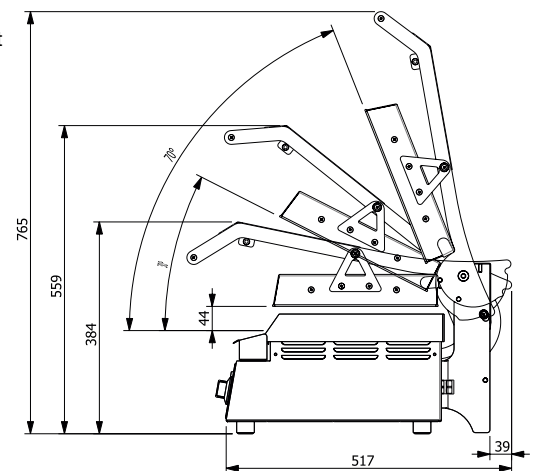


## SPECIFICATIONS

**kW 2.2    Amps 10**  
**Width 468    Depth 578**  
**Height (open) 765    Height (Closed) 331**  
**Weight 25kg**



Front View



Side View

Dealer:

**WESTERN AUSTRALIAN DEALER**  
**Practical Products Pty Ltd**  
**51 Paramount Drive Wangara WA 6065**  
**Ph: 08 9302 1299**  
**Email: sales@practicalproducts.com.au**  
**Website: www.practicalproducts.com.au**