

Countertop Digital Auto Lift Fryer

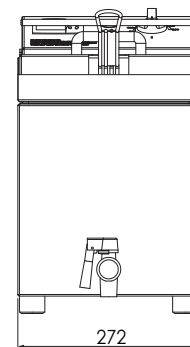
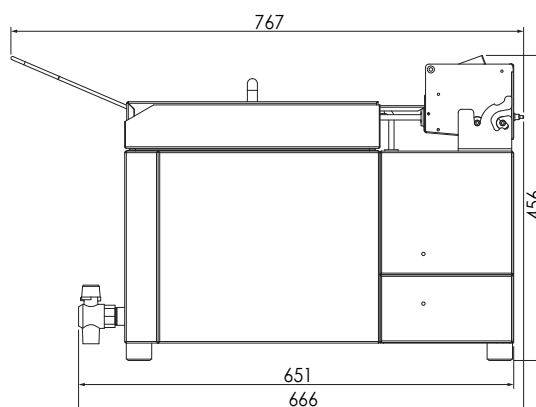
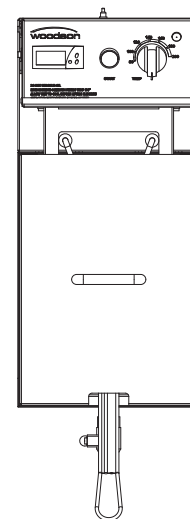
W.FRSA110



Product Information:

- Mechanical thermostat temperature control
- Digital timer (1-999 Sec/Mins)
- Designed for 180°C frying
- Suitable for use with liquid oil only
- Cooking capacity approximately 15kg/hr, of frozen 10mm chips
- Over temperature safety cut-out as standard
- Stainless steel element covers
- Basket holder at rear for draining
- Removable splash guard
- Removable tilting element assembly
- Drain tap, for easy cleaning
- Snug fitting stainless steel tank cover
- Supplied complete with basket
- Power on and indicator light
- Supplied with 2 metre lead and 20 Amp single phase 3 round pin capture plug, for fitting on site to a suitable industrial style outlet
- **12 months parts and labour warranty**

Specifications	
Model	W.FRSA110
Height	456mm
Width	272mm
Depth	666mm (with basket 767mm)
Circuit	Dedicated x 1
Power	240 V 4.8 kW 20A plug & lead fitted
Capacity	11 Litre



Due to continuous product research and development, the information contained herein is subject to change without notice.

Revision: 01 - 25/05/2020 -D