

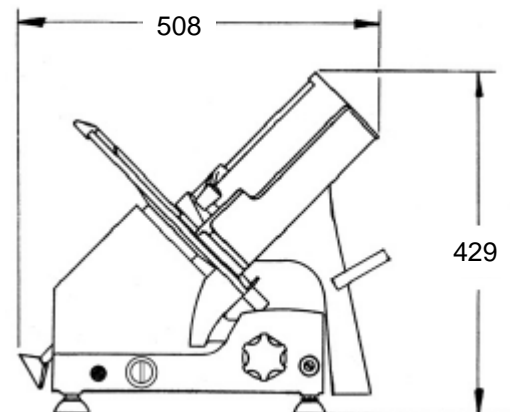
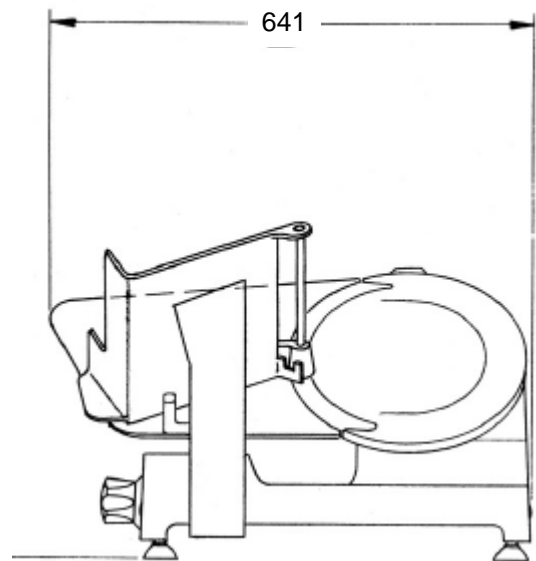
**300mm compact medium duty gravity fed safety slicer**



- **Operator safety, durability and sanitation**
- 0.37kW (1/2 h.p.) knife drive motor - better with cheese
- **Gauge plate (slice thickness) interlock** - no exposed knife when carriage is removed
- Permanently mounted **knife ring guard** - maximum safety when cleaning
- Large product tray - slices items up to 273mm in length and 187mm in diameter
- **Maximum slice thickness - 14mm**
- **Carriage system easily removed** for cleaning
- Long life Borazon sharpening and truing stone - easily removed and dishwasher safe
- Sanitary anodized aluminium base, carriage and knife cover
- Removable large under knife deflector
- Ergonomically mounted meat grip handle

**Technical Data**

Knife size	305mm (12inch)
Speeds	Single speed
Maximum cut	14mm thick
Carriage capacity	273mm wide / 194mm high
Safety	Blade ring guard
	Gauge plate interlock
	Carriage interlock
	Blade shield when sharpener removed
Drive mechanism	Poly V-belt with tensioner
Motor size	0.37kW (1/2 h.p.)
Power supply	240/50/1 - 10amp (max 3.5amps)
Power cord	Plug & cord - single phase
Shipping weight	35kg



**WESTERN AUSTRALIAN DEALER**  
**Practical Products Pty Ltd**  
 51 Paramount Drive Wangara WA 6065  
 Ph: 08 9302 1299  
 Email: [sales@practicalproducts.com.au](mailto:sales@practicalproducts.com.au)  
 Website: [www.practicalproducts.com.au](http://www.practicalproducts.com.au)

**WARNING:** ELECTRICAL AND GROUNDING CONNECTIONS MUST COMPLY WITH THE APPLICABLE PORTIONS OF THE NATIONAL ELECTRICAL CODE AND/OR OTHER LOCAL ELECTRICAL CODES IN FORCE.