

TECHNICAL DATA SHEET FOR

# 10 Litre Planetary Mixer

BM10AT

**STANDARD FEATURES**

- Heavy duty construction
- Belt driven
- Long life gear box
- 3 fixed speeds
- Easy speed shifting
- 15 minute timer

**STANDARD ACCESSORIES**

- Batter beater
- Dough hook
- Wire whisk
- 10 litre stainless steel bowl
- Wire safety guard
- Scraper



BM10AT



BM10AT without guard

**OPTIONAL ACCESSORIES**

- BM10AT-12-001 Stainless steel bowl to suit 10 litre mixer
- BM10AT-12-002 Batter beater to suit 10 litre mixer
- BM10AT-12-003 AL hook to suit 10 litre mixer
- BM10AT-12-004 Stainless steel wire whip to suit 10 litre mixer

TECHNICAL DATA SHEET FOR

# 10 Litre Planetary Mixer

BM10AT

**SPECIFICATIONS**

**Electrical Requirements**

220-240V, Single Phase 10amp 0.25kW

Cordset fitted

**External Dimensions**

Width 365mm

Height 630mm

Depth 453mm

**Nett Weight**

62kg



Australia  
www.moffat.com.au  
New Zealand  
www.moffat.co.nz

Australia  
Moffat Pty Limited  
Victoria/Tasmania  
740 Springvale Road  
Mulgrave, Victoria 3170  
Telephone 03-9518 3888  
Facsimile 03-9518 3833  
vsales@moffat.com.au

New South Wales  
Telephone 02-8833 4111  
nswsales@moffat.com.au

South Australia  
Telephone 03-9518 3888  
vsales@moffat.com.au

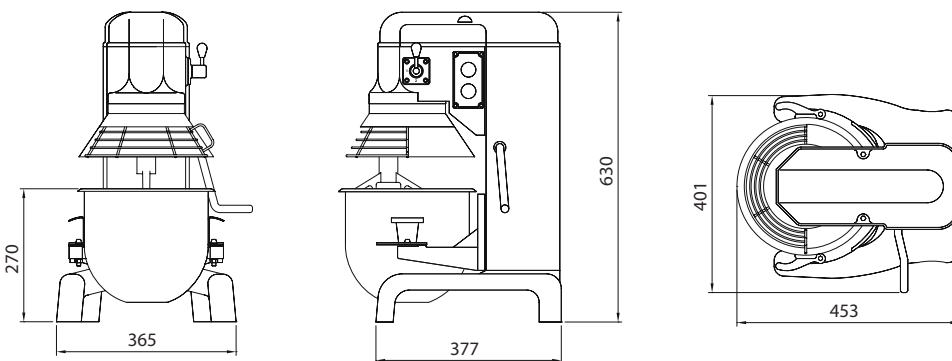
Queensland  
Telephone 07-3630 8600  
qldsales@moffat.com.au

Western Australia  
Telephone 08-9202 6820  
bgarcia@moffat.com.au

New Zealand  
Moffat Limited

Christchurch  
16 Osborne Street  
Christchurch 8011  
Telephone 03-389 1007  
Facsimile 03-389 1276  
sales@moffat.co.nz

Auckland  
Telephone 09-574 3150  
sales@moffat.co.nz



In line with policy to continually develop and improve its products, Moffat Limited reserves the right to change specifications and design without notice.

