

TECHNICAL DATA SHEET FOR

40 Litre Planetary Mixer

BM40AT3P BM40HAT3P

STANDARD FEATURES

- Heavy duty construction
- Belt driven
- Long life gear box
- 3 fixed speeds
- Easy speed shifting
- 15 minute timer
- Attachment drive (BM40HAT3P)

STANDARD ACCESSORIES

- Batter beater
- Dough hook
- Wire whisk
- 40 litre stainless steel bowl
- Wire safety guard
- Scraper



BM40AT3P

OPTIONAL ACCESSORIES

- BM40AT-06-003 HUB attachment drive (BM40AT3P)
- HL-G12SH Mincer
- HL-VS12A Slicer / Shredder
- BM40AT-12-001 Stainless steel bowl to suit 40 litre mixer
- BM40AT-12-002 Batter beater to suit 40 litre mixer
- BM40AT-12-003 AL hook to suit 40 litre mixer
- BM40AT-12-004 Stainless steel wire whip to suit 40 litre mixer
- BM40ATM Reduction kit 20 litre includes bowl, hook, beater and whisk

TECHNICAL DATA SHEET FOR

40 Litre Planetary Mixer

BM40AT3P BM40HAT3P

SPECIFICATIONS

Electrical Requirements

400-415V, 3P+E, 50Hz, 1.125kW

External Dimensions

Width 540mm

Height 1107mm

Depth 629mm

Nett Weight

185kg (BM40AT3P)

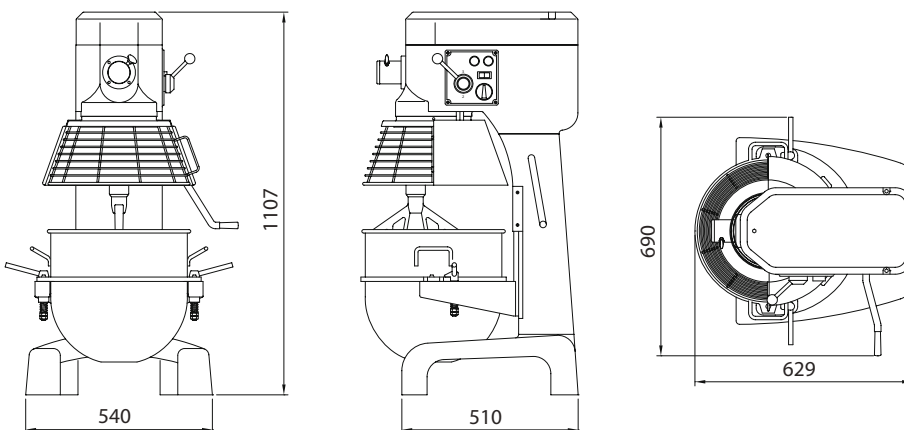
185kg (BM40HAT3P)



Australia
www.moffat.com.au
New Zealand
www.moffat.co.nz

Australia
Moffat Pty Limited
Victoria/Tasmania
740 Springvale Road
Mulgrave, Victoria 3170
Telephone 03-9518 3888
Facsimile 03-9518 3833
vsales@moffat.com.au
New South Wales
Telephone 02-8833 4111
nswsales@moffat.com.au
South Australia
Telephone 03-9518 3888
vsales@moffat.com.au
Queensland
Telephone 07-3630 8600
qldsales@moffat.com.au
Western Australia
Telephone 08-9202 6820
bgarcia@moffat.com.au

New Zealand
Moffat Limited
Christchurch
16 Osborne Street
Christchurch 8011
Telephone 03-389 1007
Facsimile 03-389 1276
sales@moffat.co.nz
Auckland
Telephone 09-574 3150
sales@moffat.co.nz



In line with policy to continually develop and improve its products, Moffat Limited reserves the right to change specifications and design without notice.

