

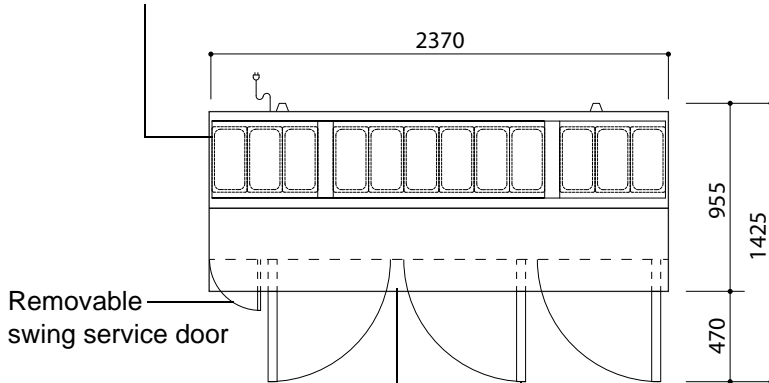
# specifications

## BC240-P

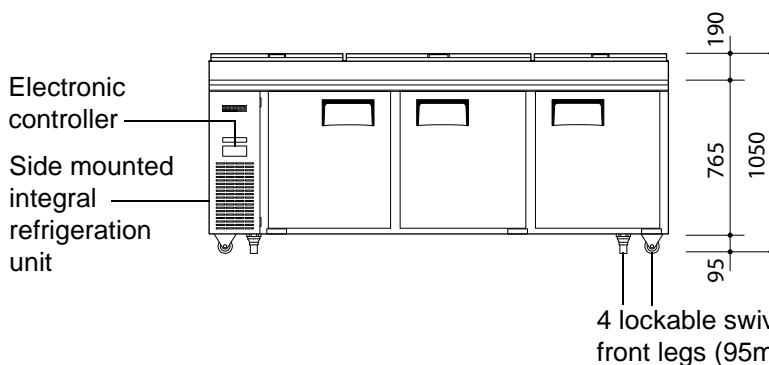
**centaur**  
from SKOPE

### SKOPE Centaur Horizontal Pizza Counter Type: BC240-P-3RRRS-E

Supplied with 12 pans (175w x 320d x 150h mm)  
and 3 hinged covers.



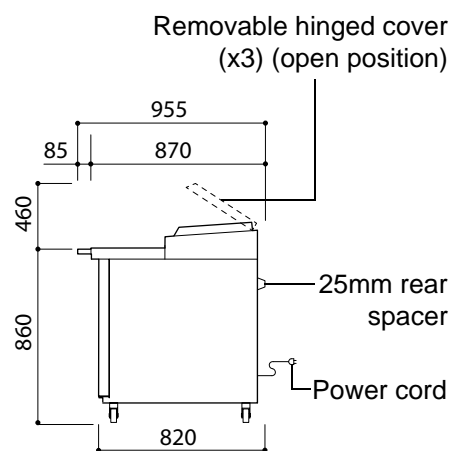
Removable cutting board benchtop (2360w x 490d x 15h mm)  
Solid swing doors



#### CABINET DIMENSIONS

	External	Internal
<b>Height:</b>	1050mm	600mm
<b>Width:</b>	2370mm	1900mm
<b>Depth:</b>	955mm*	680mm
<b>Floor area:</b>	2.33m <sup>2</sup>	

\*Depth 870mm with cutting board removed.



4 lockable swivel castors and 2 adjustable front legs (95mm - 125mm)

Copyright © 2011 SKOPE Industries Limited

#### CABINET SPECIFICATIONS

<b>Refrigeration system:</b>	Side mounted, integral refrigeration unit
<b>Electronic controller:</b>	CAREL 'easy' electronic controller
<b>Refrigerant:</b>	R134a / 340g
<b>Nominal compressor capacity:</b>	671 Watts
<b>Cabinet internal volume:</b>	733 litres
<b>Insulation:</b>	60mm thick, high density cyclo-isopentane polyurethane foam
<b>Operating temperature:</b>	0°C to +4°C up to 30°C ambient
<b>Electrical:</b>	230-240 Volts a.c. 50 Hz, Chiller: 3.05 Amps
<b>Internal lighting:</b>	n.a.
<b>Power cord:</b>	2m flexible power cord with 3-pin plug
<b>Doors:</b>	3 x solid stainless steel self-closing doors - LH and RH hinged
<b>Internal door opening size:</b>	3 door openings: 575mm high x 565mm wide
<b>Shelves:</b>	One layer of adjustable height wire shelves, 610mm deep (1 per door)
<b>Weight:</b>	148 kg

SKOPE Industries Limited reserve the right to alter specifications without notice.

PSS0277 Rev. 2.0 March 2012



WA DEALER  
PRACTICAL PRODUCTS PTY LTD

PH: 08 9302 1299  
51 Paramount Dr Wangara WA 6065  
sales@practicalproducts.com.au  
www.practicalproducts.com.au