

# BASIN

Wash Basin Knee Operated – Type 1



Stoddart Manufacturing designed the Knee Operated Wash Basin with the full front knee operated panel to provide easy access to hygienic hand washing. A simple nudge with either your left or right knee or thigh activates the timed water flow.

For AS 4674 (*design, construction & fit out of food premises*) the basin must provide warm running potable water delivered through a single outlet for improved cleaning effectiveness. This can be achieved with addition of the optional Tempering Valve or Thermostatic Mixing Valve.

For additional scald protection of elderly, sick, disabled persons and young children add the optional Thermostatic Mixing Valve.

Model:  
**SPPL.WB.KO1**

**Code explanation:**

**SPPL** = Standard Product Plumbing

**WB** = Wash Basin

**KO1** = Knee operated, without lower plumbing shroud

*Optional Extra Suffixes;*

*300* = 300mm splashback

*TV* = Tempering valve

*TMV* = TMV – Thermostatic Mixing Valve

*TMVE* = Thermostatic Mixing Valve- EN-ATM710

*VAR* = custom variations

e.g.: for specification and ordering

SPPL.WB.KO1.300.TV



**SPPL.WB.KO1**

has a 75 mm upstand / tile edge

**Features and Benefits:**

- Front panel is pressed with either the left or right knee (or thigh) for hygienic hands free use.
- Pressing the front panel activates a timed flow of water from the spout. Replacement cartridges for the timed flow valve are available as a spare part with 15-30 second or 5-7 second run times.
- This Basin, when fitted with a tempering valve complies with AS4674 for fit out of food premises.
- Tempering Valves and Thermostatic valves used must meet AS 4032.1; Valves for the control of heated water supply temperatures.
- Water is supplied through an aerated, high rise spout for easy access and minimal splash.
- Spout is WELS rated spout for controlled flow to 7.5 litres per minute.
- Easy-mount single piece wall bracket has multiple fixing holes for quick installation by plumber.
- Is suitable for use where disabled access is required. Refer to AS 1428.
- 300 mm splashback is optional extra. It eliminates need for tiled splashback.



Suitable for use where disabled access is required



Due to product research and development, the information contained herein is subject to change without notification

Data Sheet Revision Date 08/10/2014

**Manufactured by:**

Tom Stoddart Pty Ltd. ABN 16 009690251  
39 Forest Way, Karawatha 4117, Queensland Australia

**4-02**

Tel +61 7 3440 7600, Fax +61 7 3344 1000

Web site: [www.stoddartplumbing.com.au](http://www.stoddartplumbing.com.au)

Email: [plumbing@stoddart.com.au](mailto:plumbing@stoddart.com.au)

**Specifications:**

- Construction:** 304 grade stainless steel construction, Knee operated valve and spout are pre-plumbed.
- Water Supply:** 15mm, 1/2" G (BSP). For Addition of optional TV or TMV, Hot and cold supplies are required.
- Component claimed temperature control;
- Thermostatic Mixing Valve = +/- 2 deg C
  - Tempering Valve = +/-3 Deg C
- Additional a water strainer/filter to protect valves from water-borne dirt and scale is fitted as standard.
- Waste Connection:** 40mm PVC waste supplied. (Trap by others)
- Unit Fixing:** Unit is supplied with wall mounting bracket with 10mm fixing holes. Basin is fixed with 6mm fixings.
- Optional TV or TMV is supplied as a loose kit part for Plumber to install in compliance with regulations.
- Optional splashback supplied loose, fix to wall with double sided tape and silicon around edges to seal.
- Fixing Height:** The unit should be mounted at 800– 830 mm above finished floor level for disabled user access.

Model:  
**SPPL.WB.KO1**

**Code explanation:**

**SPPL** = Standard Product Plumbing

**WB** = Wash Basin

**KO1** = Knee operated, without lower plumbing shroud

*Optional Extra Suffixes;*

*300* = 300mm splashback

*TV* = Tempering valve

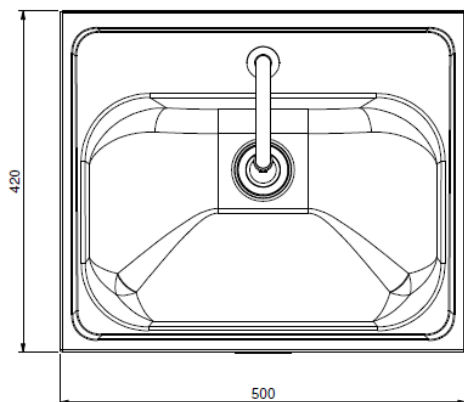
*TMV* = TMV – Thermostatic Mixing Valve

*TMVE* = Thermostatic Mixing Valve- EN-ATM710

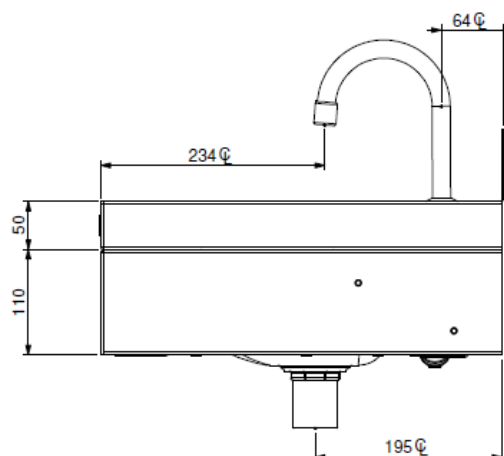
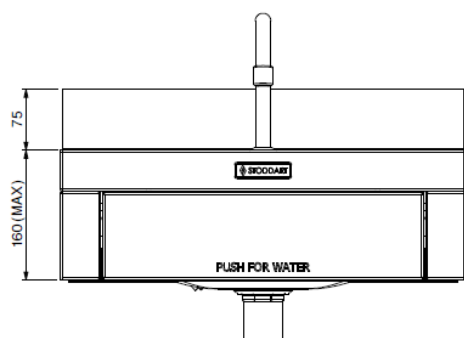
*VAR* = custom variations

e.g.: for specification and ordering

SPPL.WB.KO1.300.TV



Inline Strainer Included  
Water Connection



Model No.	Length (mm)	Width (mm)	Height (mm)
SPPL.WB.KO1	500	420	160 (326 with spout)