



**PRODUCT CODE:**

- T-3MLB4MIX** (4 star)
- T-3MLB6MIX** (6 star)
- T-3MLS4MIX** (4 star)
- T-3MLS6MIX** (6 star)

The 3monkeez® range of tapware is perfectly suited for commercial kitchens, schools, canteens, bars, cafés, food processing facilities or any other commercial setting. The range includes Pre-Rinse Units, Mixers, Hot Wash Reels, Sensor Taps, Bubblers, Pillar, Bib Taps and more.

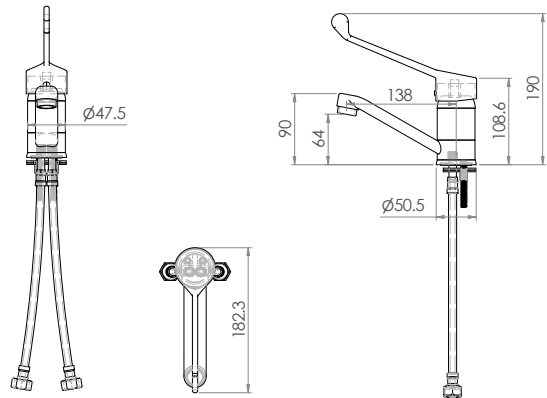
**FEATURES & BENEFITS:**

- Stainless steel construction
- Lever handle for hands free operation
- Includes flexi hoses - 1/2" FI BSP
- Recommended working pressure 500kPa
- Maximum operating temperature 80°
- Available in WELS 4 Star 7.5LPM or WELS 6 Star 4.5LPM

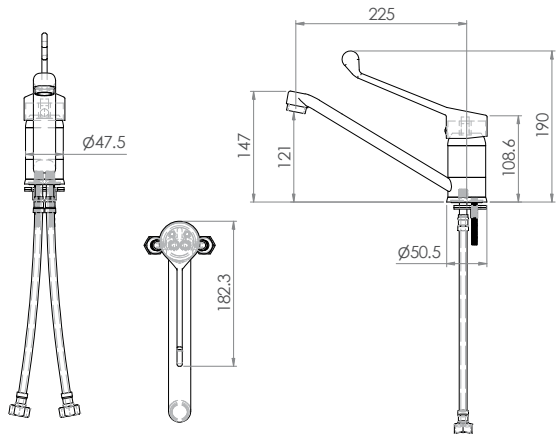
**GUARDIAN™ TAPWARE**



**T-3MLB4MIX / T-3MLB6MIX**



**T-3MLS4MIX / T-3MLS6MIX**



Details accurate at time of print. Whilst all care has been taken in compiling this information, designs & dimensions shown are indicative only and should not be relied upon without prior approval.

