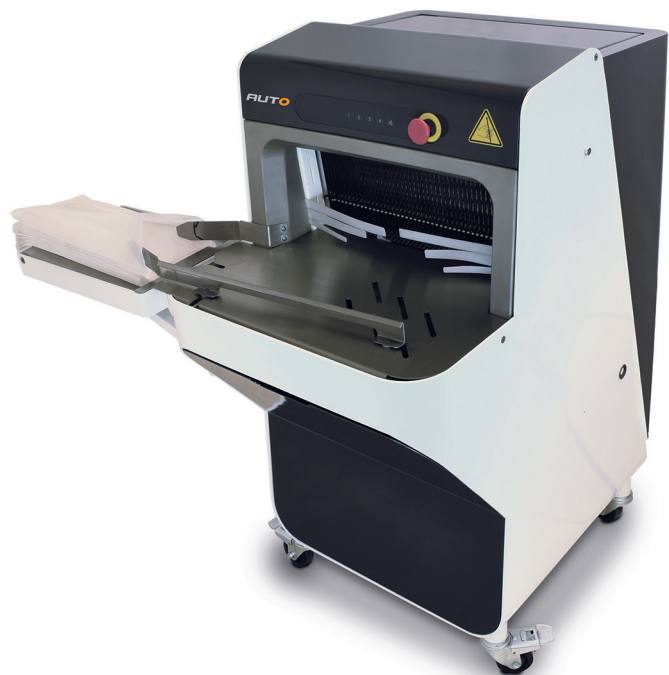


AUTO

AUTO-B12-1P, AUTO-B15-1P, AUTO-B18-1P **Slicer**

Product Features

- Sturdy and compact design
- 12, 15 or 18mm slice thickness
- Easy selection of required loaf pusher pressure setting
- Rear safety cover for operator safety
- Easy to empty crumb bin
- Plastic fingers to hold bread once sliced
- Perfect blade tension for uniform slice thickness
- Fitted with side mounted bag blower
- Approximate output 300 loaves / hour



AUTO

Sourced from the leading equipment manufacturers globally, the Paramount brand is renowned for quality equipment at an affordable price point. With a range including spiral dough mixers, hydraulic dividers, bun divider rounders, provers, deck and rotating ovens, bread slicers, planetary mixers and dough sheeters, Paramount offers solutions to your production requirements. Designed to withstand the demands of the modern bakery environment, the Paramount brand offers many years of trouble free operation.

Available as basic bench top units to high volume floor model slicers, we are sure to have the right solution to meet your requirements. All slicers are available in a range of slice thicknesses to suit your slicing needs.

AUTO

AUTO12-1P, AUTO15-1P, AUTO18-1P Slicer

Model AUTO

Slice thickness AUTO12 - 12mm
AUTO15 - 15mm
AUTO18 - 18mm

Output 300 loaves per hour

Dimensions

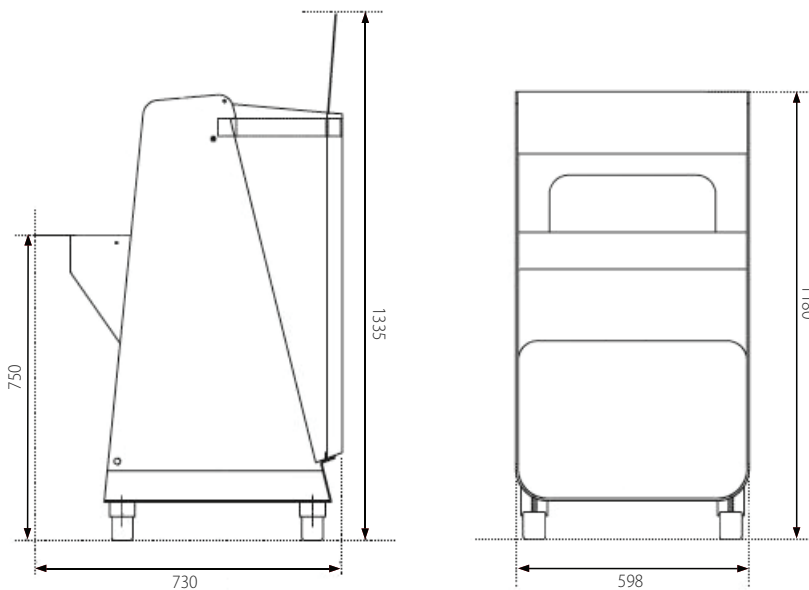
Width 598mm
Depth 730mm
Height 1180mm

Electrical Requirements

220-240V, 1P+N+E, 50Hz 0.55kW
Nett Weight 200kg

Additional Information

Power outlet to be located at a minimum 1500mm off the floor



an Ali Group Company

WA DEALER
PRACTICAL PRODUCTS PTY LTD

PH: 08 9302 1299
51 Paramount Dr Wangara WA 6065
sales@practicalproducts.com.au
www.practicalproducts.com.au