

## PREMIER 2142

### BENCHTOP VACUUM PACKER WITH GAS-FLUSH & SENSOR CONTROL

#### STANDARD FEATURES

- Stainless steel housing deep-drawn vacuum chamber for optimal hygiene
- Transparent lid
- Removable wireless sealing bar
- Insert plates for adjusting vacuum chamber height
- Vacuum - Optimal final vacuum 99.80% (2 mbar)
- Gas-flush - Injecting food-gas for product protection and longer shelf life
- Soft-air - Controlled ventilation for protection of product and packaging
- 2 x 3.5mm seal wires for an extra-strong double seal
- Sensor Control - Set percentage pressure for vacuum and gas functions for accurate and constant packaging results / Automatic programming / 10 default programs / Vacuum plus time
- STOP button for partial/full cycle interruption
- Digital maintenance program for pump / Operating hours counter / Service indicator programs / Sleeper function etc
- Service kit for user maintenance



#### DIMENSIONS

External: 493W x 616D x 440H mm

Chamber: 420W x 460D x 180H mm

Sealing Bar: 420mm

Weight: 67Kg

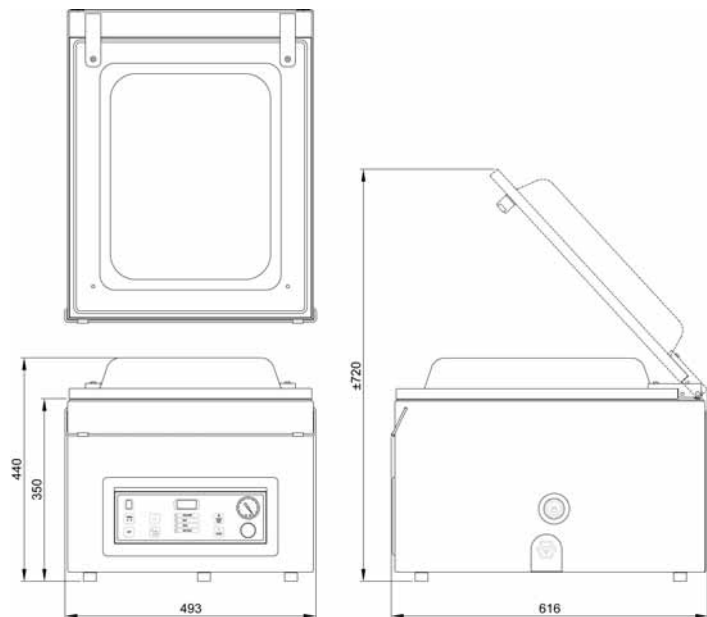
#### TECHNICAL DATA

Power Supply: 240V, 50Hz, Single Phase

Power Output: 1.0kW

Capacity pump: 21 m<sup>3</sup>/h

Machine cycle: 20-40 seconds



#### OPTIONS

- Inclined insert plate for packing liquid products
- Trolleys with 3 shelves and lockable castors



Busch vacuum pumps, world leaders in vacuum pump technology



Two years parts and labour warranty