

Storage Bins



Features

- Application storage capacity from 110kg to 388kg.
- Ultra-low profile - 711mm to 1270mm.
- Multiple bin tops provide an easy solution for mounting ice makers on different sized bins.
- Polyethylene bin liner is insulated with foam for maximum ice preservation - 38mm to 76mm.
- Perfect-fit seal for improved ice preservation.
- Rugged, fingerprint-proof door.
- Built-in ice scoop holders on certain models.
- Sturdy leg design - 152mm adjustable NSF approved legs -standard.
- Durable stainless finish.
- Corrosion-proof bin liner.
- Made in U.S.A

Warranty: 3 years parts and labour.

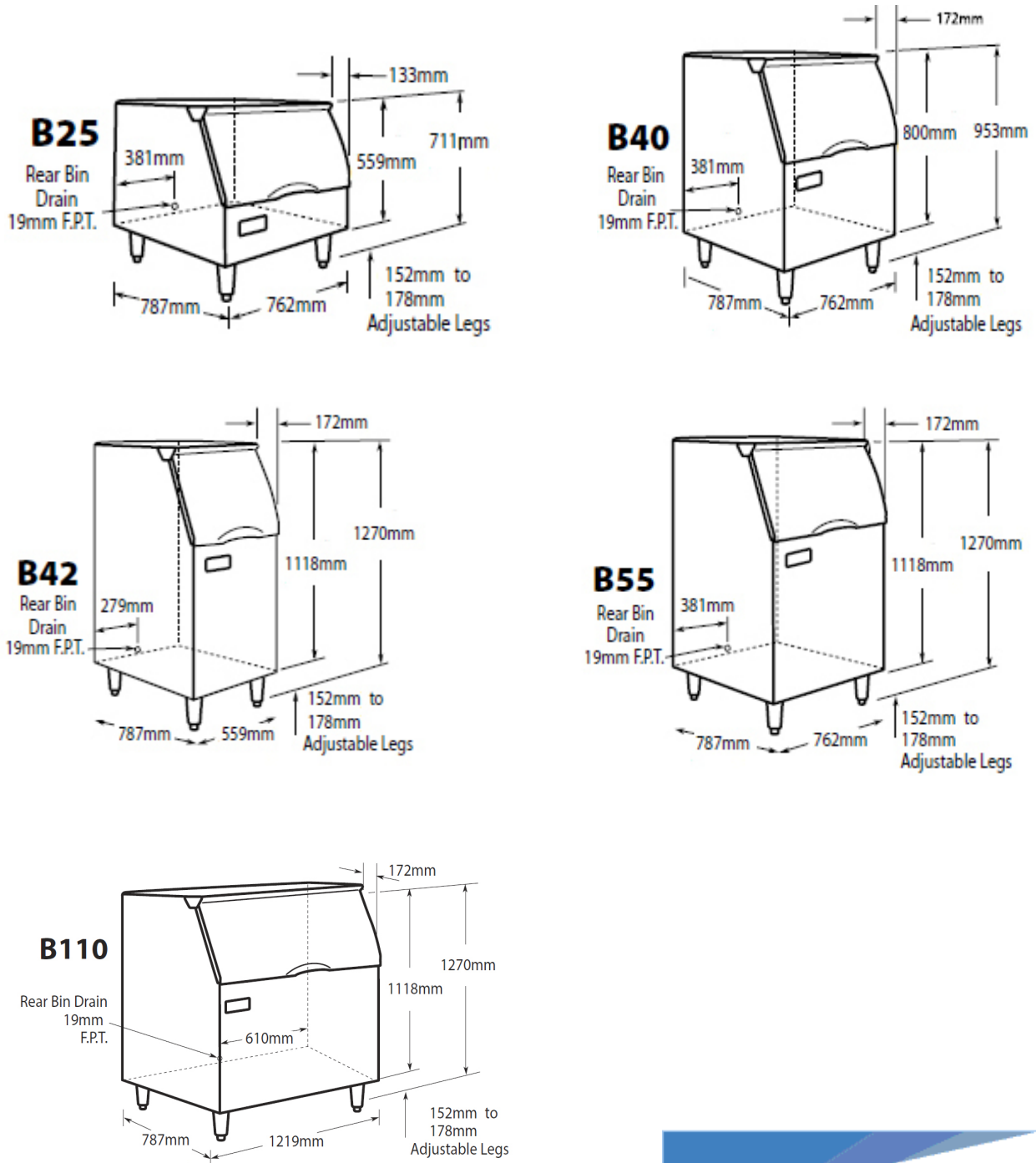


Specifications

Bin Model No.	Ice Storage (kg)	Approx. Shipping Weight
B25	110	45
B40	156	63
B42	160	63
B55	232	79
B110	388	89

Storage Bins

Dimensions



WA DEALER
PRACTICAL PRODUCTS PTY LTD

PH: 08 9302 1299
51 Paramount Dr Wangara WA 6065
sales@practicalproducts.com.au
www.practicalproducts.com.au