

# ELECTRIC GRIDDLE 600mm

EP514-B, EP514-CB, EP514-LS

- Heavy-duty thermostatic electric griddle
- 20mm thick griddle plate
- Ribbed plate options
- Mirror chromed plate options
- Top weld sealed plates
- 7.2kW heating elements
- 2 models of base unit
- Rear rollers
- Stainless steel exterior
- Easy clean
- Easy service
- Fully modular



EP514-LS

## Overall Construction

### Griddle

- 20mm thick machined top plates standard
- Optional ribbed plate sections
- Optional mirror finish hard chrome plates
- 2.5mm thick stainless steel splash guards sides and rear
- 2.5mm thick grease channel
- Single temperature control zone
- Welded hob surround with 1.5mm stainless steel bull nose
- Side panels 1.2mm stainless steel
- Splashback 1.2mm stainless steel
- Enamelled control panel
- Stainless steel grease drawer
- Overlapping finish at front and rear of plate for easy clean

### Bench mount (supplied as -B model)

- Four 63mm dia. heavy-duty 1.2mm stainless steel bench legs with adjustable feet
- Adjustable height 80mm - 105mm

### Cabinet base (supplied as -CB model)

- Fully modular for match suite finish
- Double skin 0.9mm stainless steel interior and exterior
- Optional GN 1/1 4 position racking kit
- 63mm dia. heavy-duty 1.2mm stainless steel legs with two adjustable feet at front and two rollers at rear

### Leg stand (supplied as -LS model)

- Fully modular for matched suite finish
- Framed top for connection to Griddle
- 63mm dia. heavy-duty 1.2mm stainless steel legs with two adjustable feet at front and two rollers at rear
- Fully modular framed stand shelf with 0.9mm stainless steel finish
- Quick assembly design

## Controls

- 50-300°C thermostat
- Single temperature control zone
- Large easy use control knob - heat resistant reinforced
- Easy view control settings on knob
- Indicator lights for power and heating
- Over-temperature safety cut-out

## Cleaning and Servicing

- All models with easy clean stainless steel external finish
- Plate is finished front and rear with overlap construction to remove cleaning traps
- Control service through front of unit

# ELECTRIC GRIDDLE 600mm

EP514-B, EP514-CB, EP514-LS

## Specifications

### Elements

3 x 2.4kw stainless steel sheathed heating elements

### Electrical requirements

7.2kW  
230-240Vac, 50/60Hz, 1P+N+E, 30A

### Plate

Cooking surface 592mm x 530mm, 3138cm<sup>2</sup>

## Dimensions

### Bench models

Width 600mm  
Depth 812mm  
Height 315mm  
Incl. splashback 485mm

### All models (excluding Bench model)

Width 600mm  
Depth 812mm  
Height 915mm  
Incl. splashback 1085mm

## Nett weight

### Bench and Leg Stand models

118kg

### Cabinet Base models

120kg

## Packing data

### Bench and Leg Stand models

0.37m<sup>3</sup>, 170kg  
Width 645mm  
Depth 870mm  
Height 665mm

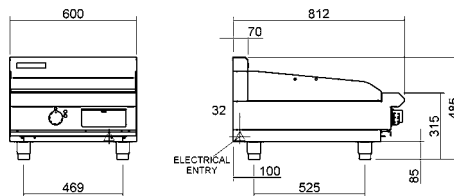
### Cabinet Base models

0.70m<sup>3</sup>, 172kg  
Width 645mm  
Depth 870mm  
Height 1255mm

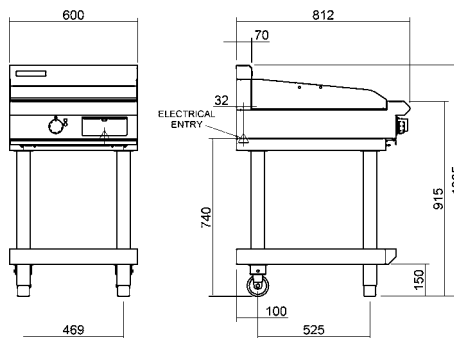
## Options

Adjustable feet at rear  
Joining caps  
Castors  
Ribbed plate options  
Mirror chromed plate options

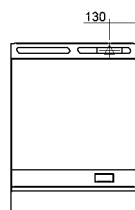
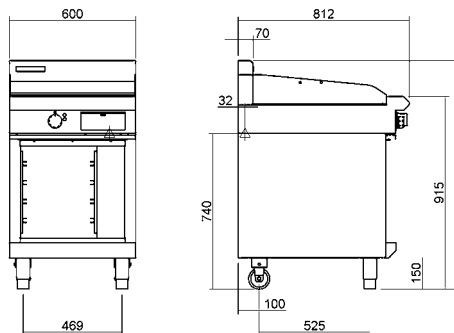
EP514-B



EP514-LS



EP514-CB



an Ali Group Company



The Spirit of Excellence

PH: 08 9302 1299  
51 Paramount Dr Wangara WA 6065  
sales@practicalproducts.com.au  
www.practicalproducts.com.au