

Technical data sheet for  
**ELECTRIC GRIDDLE 600mm**

GP8600E-B, GP8600E-CB, GP8600E-LS



GP8600E-LS

- Heavy-duty thermostatic electric griddle
- 20mm thick griddle plate
- Ribbed plate options
- Chromed mirror plate options
- Top weld sealed plates
- 7.2kW heating elements
- 3 models of base unit
- Stainless steel exterior
- Easy clean
- Easy service
- Fully modular
- Low back models (GPL) available

**Overall Construction**

**GRIDDLE**

- 20mm thick machined top plates standard
- Optional ribbed plate sections
- Optional mirror finish hard chrome plates
- 2.5mm thick 304 stainless steel splash guards sides and rear
- 2.0mm thick grease channel
- Single temperature control zone
- Welded hob surround with 1.5mm 304 stainless steel bull nose
- Splashback and side panels 1.2mm 304 stainless steel
- Front panels 0.9mm 304 stainless steel
- Stainless steel grease drawer
- Overlapping finish at front and rear of plate for easy clean

**BENCH MOUNT (SUPPLIED AS -B MODEL)**

- Four 63mm dia. heavy-duty 1.2mm 304 stainless steel bench legs with adjustable feet
- Adjustable height 80mm – 105mm

**CABINET BASE (SUPPLIED AS -CB MODEL)**

- Fully modular for match suite finish
- Double skin 0.9mm 304 stainless steel interior and exterior
- Optional GN 1/1 4 position racking kit
- 63mm dia. heavy-duty 1.2mm 304 stainless steel legs with adjustable feet

**LEG STAND (SUPPLIED AS -LS MODEL)**

- Fully modular for matched suite finish
- Framed top for connection to Griddle
- 63mm dia. heavy-duty 1.2mm 304 stainless steel legs with adjustable feet
- Fully modular framed stand shelf with 0.9mm 304 stainless steel finish
- Suitable for rear or through shelf gas connection to Griddle
- Quick assembly design (no tools required)

**Controls**

- 50-300°C thermostats
- Single temperature control zone
- Large easy use control knob - heat resistant reinforced
- Easy view control settings on knob
- Indicator lights for power and heating

**Cleaning and Servicing**

- All models with easy clean stainless steel external finish
- Plate is finished front and rear with overlap construction to remove cleaning traps
- Control service through front of unit

Technical data sheet for  
**ELECTRIC GRIDDLE 600mm**

**Specifications**

**Elements**

3 x 2.4kW stainless steel sheathed heating elements

**Electrical requirements**

7.2kW  
230-240Vac, 50/60Hz, 1P+N+E, 30A

**Plate**

Cooking surface 592mm x 530mm, 3138cm<sup>2</sup>

**Electrical connection**

130mm from RH side, 32mm from rear, and 740mm from floor

**DIMENSIONS**

**Bench models**

Width 600mm  
Depth 805mm  
Height 315mm  
Incl. splashback 530mm  
Incl. low back 370mm

**All models (excluding Bench model)**

Width 600mm  
Depth 805mm  
Height 915mm  
Incl. splashback 1130mm  
Incl. low back 970mm

**NETT WEIGHT**

**Bench and Leg Stand models**

118kg

**Cabinet Base models**

120kg

**PACKING DATA**

**Bench models**

0.37m<sup>3</sup>, 170kg  
Width 645mm  
Depth 870mm  
Height 665mm

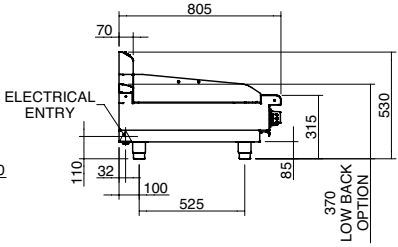
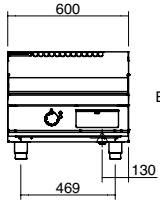
**All models (excluding Bench model)**

0.70m<sup>3</sup>, 172kg  
Width 645mm  
Depth 870mm  
Height 1255mm

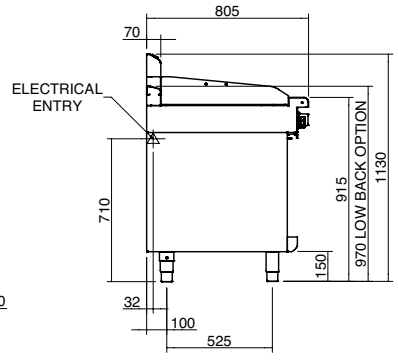
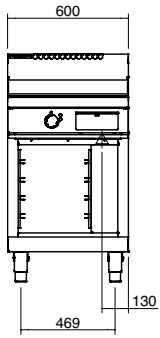
**OPTIONS AT EXTRA COST**

- Joining caps
- Castors
- Plinth mounting
- Ribbed plate options
- Chromed plate options

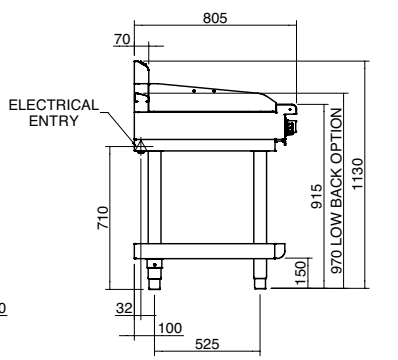
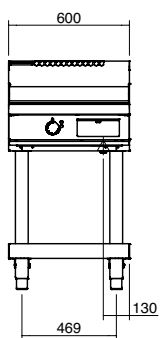
**GP8600E-B  
BENCH MODEL**



**GP8600E-CB  
CABINET BASE**



**GP8600E-LS  
LEG STAND**



**PLAN**

