

SENSOR OPERATED

Dualflow Plus



M14A
white finish



M14ACS
satin finish



M14AB
black finish

General description

- The dualflow® Plus M14 240V is a fast, energy efficient, ecologic, hygienic & stylish hand dryer.
- "Hands in" model it has 2 pairs of IR sensors on both sides of the upper covers for instant hand detection
- Maximum air speed 410 Km/h.
- Dries hands in only 8 / 15 seconds.
- Motor power adjustable, allowing electricity consumption to be regulated. (Between 420 and 1.100W).
- 30 seconds safety timer.
- Lowest noise level in its category. (62 dBA in ECO mode).
- Suitable for medium and high traffic facilities.
- Easy maintenance.

Components & materials

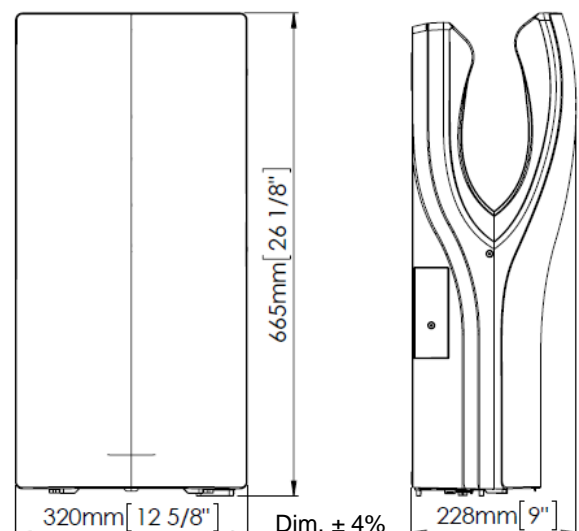
- **M14A:** ABS cover, white finish.
- **M14AC:** ABS cover, satin finish.
- **M14AB:** ABS cover, black finish.
- High speed class F universal brush motor, adjustable from 19000 to 30000 rpm.
- Biocote® antimicrobial and antibacterial protection technology based on silver ions. These ions inhibit the reproduction of micro-organisms in the product throughout its lifetime.
- H13 HEPA filter which eliminates more than the 99% of particles.
- Base plate made in plastic PA6V0.
- Removable water tank which it has valve for emptying. It is possible to connect the water outlet to the waste pipe directly.
- LED front light for fast diagnosis of the dryer (green - machine running, blue - full tank, red - check engine).
- Optical and acoustic warning full tank.
- No heating element.
- Odor neutralizer (optional).

Technical Specifications

Voltage	220- 240 V
Frequency	50/60 Hz
Electrical Isolation	Class I
Total power	420 – 1,100 W
Consumption	3.2 – 5 A
Motor power	420 – 1,100 W
Rpm	19,000 – 30,000
Heating element power	No Heating Element
Dimensions	665x320x228 mm
Weight	8.3 Kg
Cover thickness	3 mm
Drying time	8-15 sec
Effective airflow	94-165m ³ /h –1,570-2,750 l/min
Air velocity	234 – 410 Km/h
Air temperature (10 cm distance/21°C)	35 °C
Sound pressure ^(*) (at 2m)	62 – 72 dBA
Protection rating	IPX4

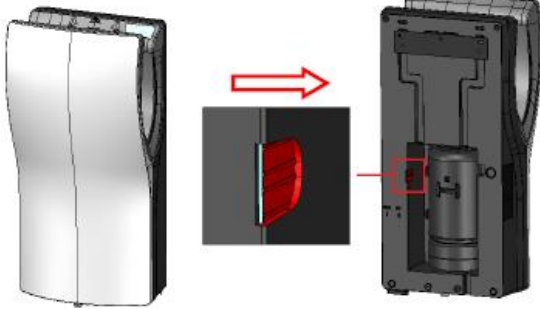
(*) According to UNE EN ISO 11201:2010 V2 standard.

Dimensions



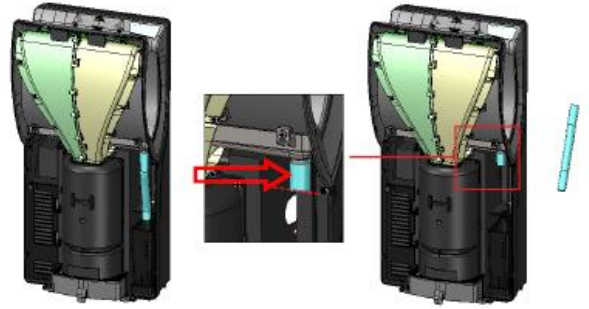
Connection to the waste pipe

1



Break the flap on the rear side of the hand dryer base.
Use a screwdriver and a hammer to do it more easily

2



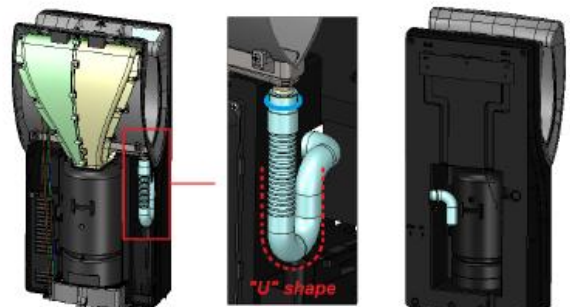
Disassemble the frontal cover and cut the original drain tube skim to the plastic union using a cutter

3



Introduce one end of the new tube through the new hole in the backside and fix the other side over the remaining part of the cut old tube using the provided flange

4



Confirm that the new tube maintains a "U" shape once assembled and connect the backside part of the tube to the waste pipe. Finally, assemble the frontal cover.

Certificates & Qualifications



Mediclinics, S.A., reserves the right to make changes and/or modifications to the products and their specifications without prior notice.
Revision 10-15 © mediclinics S.A.

