



PRODUCT FEATURES

- Sliding doors front and rear
- Overhead halogen lights
- Wet / dry element in base
- Single glazed glass
- Solid glass front - optional

CABINET DIMENSIONS & SPECIFICATIONS

Bain Marie

Model	Cabinet			Shelving no.	Operating Current	Connection	Voltage
	Length mm	Depth mm	Height mm				
STGBM9-SD	900	650	920	4 x 1/2 - 65mm Gastro Pans	9.9 Amp	15 amp 3 pin plug	50/60 Hertz 240V

* prior to installation see, installation guidelines, ventilation requirements and drainage options documents

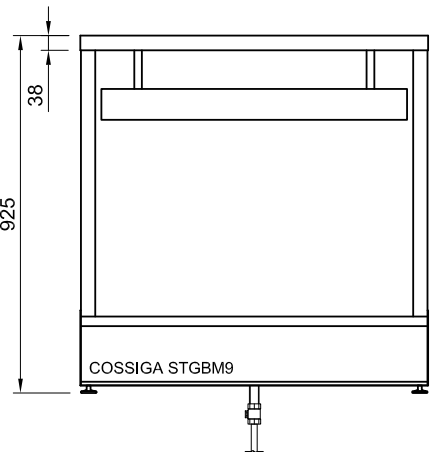
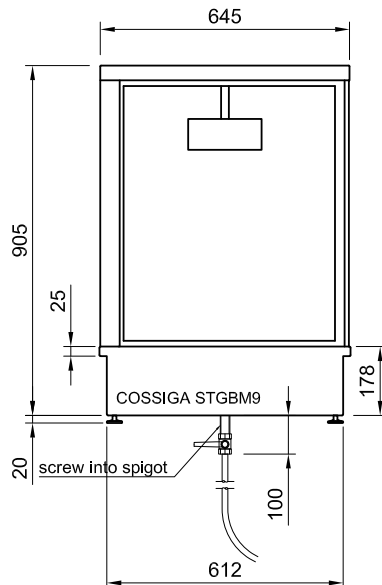
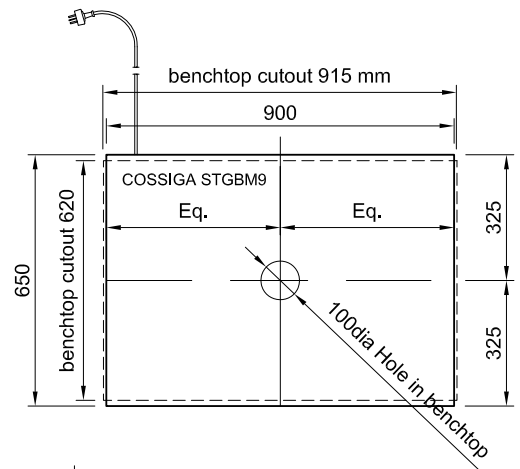
ELECTRICAL POWER

Electrical power cord 2200mm
1 phase connection required.
Unit must be hard wired on site
to isolation switch.

WATER DRAINAGE

Drain pipe centred below unit
Screw on stop cock valve to
flexible hose

Water filled manually





PRODUCT FEATURES

- Sliding doors front and rear
- Overhead halogen lights
- Wet / dry element in base
- Single glazed glass
- Solid glass front - optional

CABINET DIMENSIONS & SPECIFICATIONS

Bain Marie

Model	Cabinet			Shelving no.	Operating Current	Connection	Voltage
	Length mm	Depth mm	Height mm				
STGBM12-SD	1200	650	920	6 x 1/2 - 65mm Gastro Pans	11 Amp	15 amp lead only	50/60 Hertz 240V

* prior to installation see, installation guidelines, ventilation requirements and drainage options documents

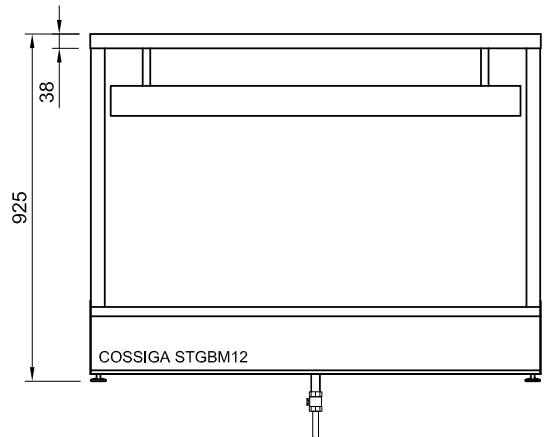
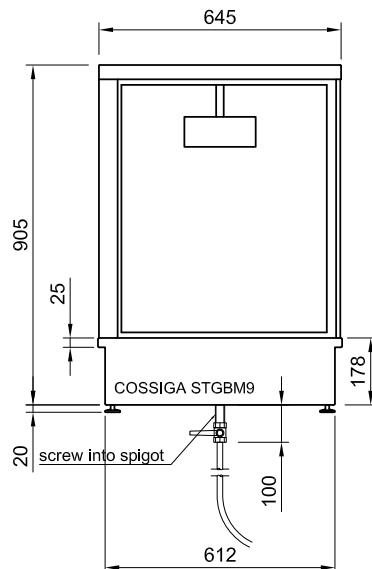
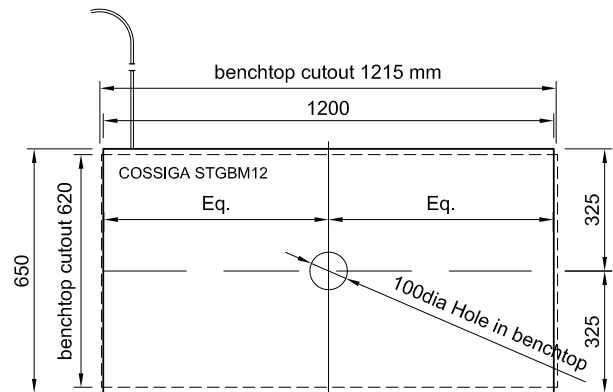
ELECTRICAL POWER

Electrical power cord 2200mm
1 phase connection required.
Unit must be hard wired on site
to isolation switch.

WATER DRAINAGE

Drain pipe centred below unit
Screw on stop cock valve to
flexible hose

Water filled manually





PRODUCT FEATURES

- Sliding doors front and rear
- Overhead halogen lights
- Wet / dry element in base
- Single glazed glass
- Solid glass front - optional

CABINET DIMENSIONS & SPECIFICATIONS

Bain Marie

Model	Cabinet			Shelving no.	Operating Current	Connection	Voltage
	Length mm	Depth mm	Height mm				
STGBM15-SD	1500	650	920	8 x 1/2 - 65mm Gastro Pans	15 Amp	20 amp lead only	50/60 Hertz 240V

* prior to installation see, installation guidelines, ventilation requirements and drainage options documents

ELECTRICAL POWER

Electrical power cord 2200mm
1 phase connection required.
Unit must be hard wired on site
to isolation switch.

WATER DRAINAGE

Drain pipe centred below unit
Screw on stop cock valve to
flexible hose

Water filled manually

