

Straight Profile Hot Food Display

The Woodson straight glass hot food display presents products superbly in addition to all the standard bain marie features.

Having no front stainless steel supports, the straight glass profile display allows for maximum visibility of chosen product.



Fully sealed toughened glass



Multiple element design



Quartz infra-red overhead heat lamps

FEATURES & BENEFITS

- Fully sealed toughened glass used throughout for maximum safety and hygiene
- Radiused bottom glass channel for ease of cleaning
- Stainless steel construction with dual skin air-insulated bain marie tank for improved safety
- Multiple element design means unit will continue to operate in the event of single element failure
- Supplied with rear sliding glass doors on rollers for council compliance
- Thermostat controls with clear temperature readout
- 15mm drain with downward emptying tap
- Overhead heat lamps wired to maximise light, heat and reliability - with lamp guard
- Full size gastronorm cavity to take choice of 65mm and 100mm pan combinations (pans not included)
- Easy to service via rear access panel
- Identical footprint to other Woodson food display models
- Can be run both wet and dry
- 2 & 3 bay supplied with 10 amp plug & lead
- 4, 5 & 6 bay supplied with 15 amp plug & lead

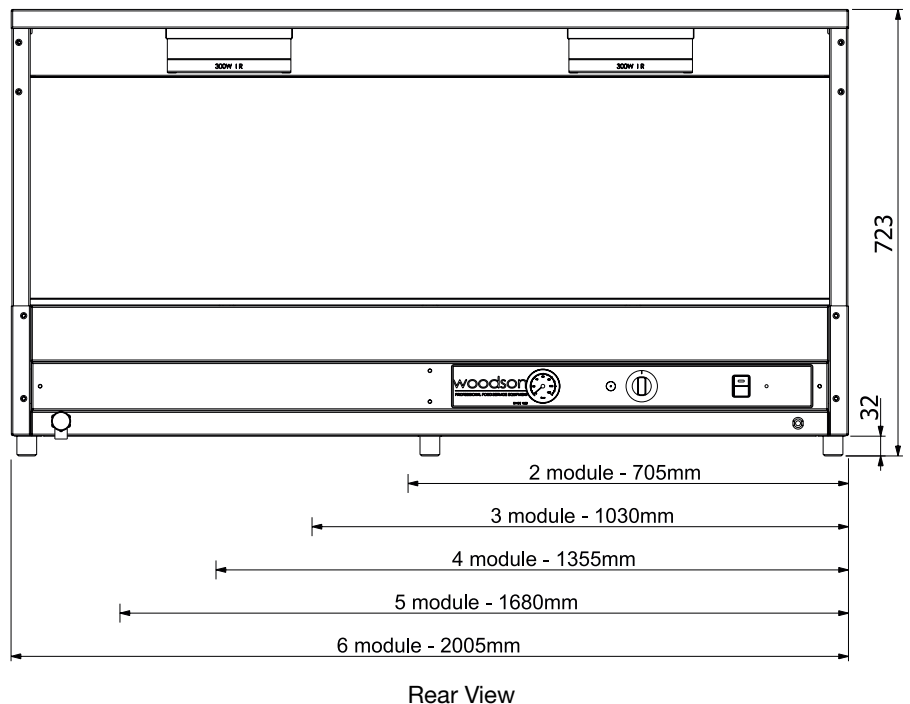
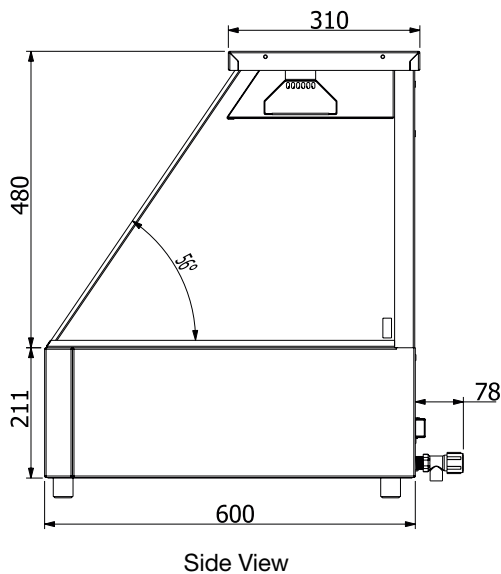


W.HFSxx



Straight Profile Hot Food Display

MODEL	DESCRIPTION	DIMENSIONS (mm) (w x d x h)	POWER
W.HFS22	2 module unit with rear sliding glass doors	705 x 600 x 725	1.5kW - 10 Amp
W.HFS23	3 module unit with rear sliding glass doors	1030 x 600 x 725	2.4kW - 10 Amp
W.HFS24	4 module unit with rear sliding glass doors	1355 x 600 x 725	3.0kW - 15 Amp
W.HFS25	5 module unit with rear sliding glass doors	1680 x 600 x 725	3.3kW - 15 Amp
W.HFS26	6 module unit with rear sliding glass doors	2005 x 600 x 725	3.6kW - 15 Amp



We reserve the right to alter specifications of products without notice. All dimensions are in mm.

WA DEALER
PRACTICAL PRODUCTS PTY LTD

PH: 08 9302 1299
51 Paramount Dr Wangara WA 6065
sales@practicalproducts.com.au
www.practicalproducts.com.au