



Electrolux

High Productivity Cooking Variomix Electric Boiling Pan with Stirrer 200lt, 600mm tilting height

ITEM # _____

MODEL # _____

NAME # _____

SIS # _____

AIA # _____



Electrolux

High Productivity Cooking
Variomix Electric Boiling Pan with Stirrer 200lt, 600mm tilting height



High Productivity Cooking

Variomix Electric Boiling Pan with Stirrer 200lt, 600mm tilting height

232226 (SM6V200)

Electric boiling pan 200lt
with stirrer, with 600mm
tilting height

Short Form Specification

Item No.

AISI 304 stainless steel construction; deep drawn pan with rounded edges manufactured from AISI 316 stainless steel. Pan can be tilted beyond 90° to completely empty the food. Motorised tilting with tilting axis located at the front of the pan to keep the pouring lip high and allow tall vessels to be filled. Food is uniformly heated via the base and the side walls of the pan by an indirect heating system using integrally generated saturated steam at a temperature of 120°C in a jacket with an automatic deaeration system. Safety valve avoids overpressure of the steam in the jacket. Safety thermostat protects against low water level. Max pressure at 1,5 bar. Programmable water filling system. Bottom agitator mixes at speeds from 25 to 100 rpm. Whipping cycle up to 200 rpm. Continuous rotating or 2 rotating directions with the possibility to modify times. Step program facilitates removal of food. High thermal input and fast heat up. Electronic SMART control with possibility to store 50 programs; error message facility; display with: cooking time and temperature, water filling. Heavy duty balanced stainless steel lid, easy to remove and turn to facilitate cleaning. The insulation allows a lower temperature on the outer panels. The foamed thermal insulation guarantees a cool upper edge of the cooking vessel surface. IPX5 water protection. For freestanding installation one left column is necessary for each unit. 600mm tilting height.

Main Features

- Curved pan base guarantees that the appliance is also suitable to prepare small quantities of food.
- Safety valve avoids overpressure of the steam in the jacket.
- Safety thermostat protects against low water level.
- High-quality thermal insulation of the pan saves energy and keeps operating ambient temperature low.
- Compliant to CE requirements for safety.
- Constructed to meet the highest hygiene standards.
- Fast working thanks to the high efficient heating technology and well insulation that keeps the heat inside the well.
- High thermal input and fast heat up.
- Isolated upper well rim avoids risk of harm for the user.
- Electronic control with possibility to store up to 50 programs, large display for easy use and a complete control over the following functions: start, cooking time, temperature, water filling and mixing speed.
- Food is uniformly heated through the base and side walls of the pan by an indirect heating system which uses integrally generated saturated steam at a temperature of 120°C in a jacket with an automatic deaeration system.
- OPTIONS (to be ordered with the machine and must be installed in the factory):
 - Automatic water filling - makes it possible to preset the desired quantity of water
 - Automatic cooling - allows cooling down of the food connecting the jacket to the tap network
 - Food sensor - placed on the bottom of the vessel, it provides efficient temperature control even with small amounts of food. Can be connected to HACCP integrated system
 - Spray gun - integrated spray unit
- ACCESSORIES:
 - Whipping tool - quickly whips foods such as cream, egg whites, etc
 - Bottom agitator - blends foods such as meat stews, casseroles, etc
 - Cleaning tool - may be fitted on the rotating shaft to facilitate cleaning of the cooking surface and safety grid. After use, it may be placed directly in the dishwasher and the brushes may be replaced.
- 600 mm tilting height minimum.

Construction

- Tilting axis located at the front and upper position of the pan to keep the pouring path short when filling different types of vessels.
- AISI 304 stainless steel construction with AISI 316L stainless steel deep drawn pan with rounded edges.
- Vessel can be tilted beyond 90° to completely empty the food.
- Motorised tilting.
- Ergonomic and user friendly thanks to the high tilting position and the pouring lip design which

APPROVAL: _____

allow to easily fill containers.

- Max pressure 1,5 bar.
- Heavy duty, balanced stainless steel lid with sliding plastic cover to insert ingredients. Easy to remove and turn to facilitate cleaning.

Included Accessories

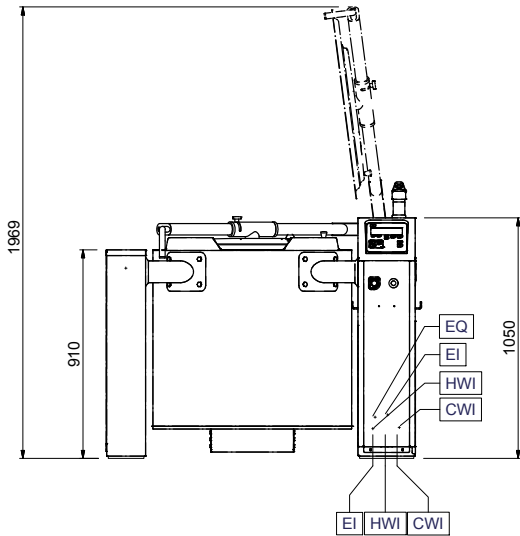
- 1 of Gate agitator with scrapers for 200lt PNC 928054 Variomix version

Optional Accessories

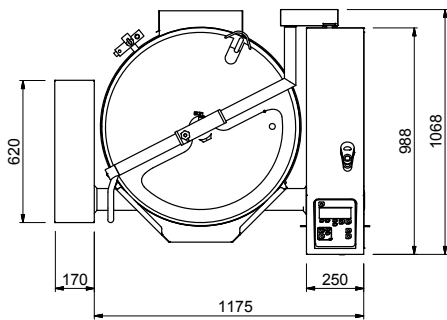
- Strainer 200lt PNC 928027
- Kit for a correct and easy positioning and installation of 150-300 lt pan (for a correct installation you need 2 for each pan) PNC 928030
- Floor fastening kit for left leg/column (fastening is integrated in the floor) PNC 928031
- Floor fastening kit for 150-300 lt right leg/column (fastening is integrated in the floor) PNC 928033
- Floor fastening kit for left leg/column (fastening on the floor surface) PNC 928034
- Floor fastening kit for 150-300 lt right leg/column (fastening on the floor surface) PNC 928036
- Trolley to store tools for 5 boiling pans PNC 928043
- Trolley to store tools for 2 boiling pans PNC 928044
- Distance ring for connection (to previous version of pan) PNC 928049
- Set of scrapers for gate agitator for 200lt Variomix version PNC 928059
- Propeller agitator for 200lt Variomix version PNC 928064
- Whipping tools for 200lt Variomix version PNC 928074
- Short brush for connection to boiling pan spray unit PNC 928082
- Long brush for connection to boiling pan spray unit PNC 928083
- Food temperature, 200/300lt, HACCP PNC 928101
- Automatic water filling PNC 928102
- Spray unit PNC 928108
- Cleaning tool for Variomix boiling pans, 200lt PNC 928122
- Automatic cooling for electric boiling pan, 200lt, with 600mm tilting height PNC 928132
- Level control for 200lt boiling pan without jacket cooling PNC 928142
- Level control for 200lt boiling pan with jacket cooling PNC 928147
- Left column including with bearing and cover for boiling pans, with 600mm tilting height PNC 928150
- Cover plate on the right side for 150-300lt pans, with 400mm tilting height PNC 928152
- Automatic ice cooling system for electrical heated smart boiling pan 200lt with 600mm tilting height PNC 928156

- Dual installation feeding cable for 200 and 300lt boiling pans smart variomix and smart promix with 600 mm tilting height PNC 928160

Front

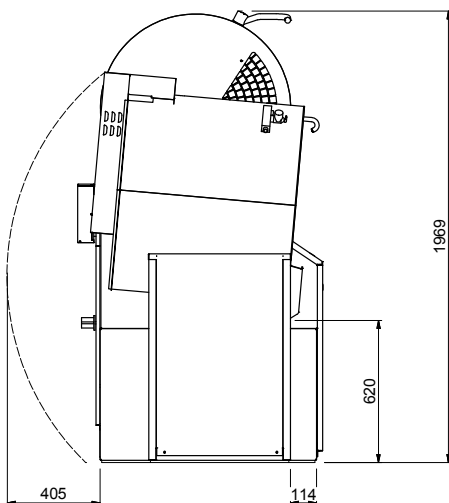


Top



- CWI = Cold Water inlet
EI = Electrical connection
EQ = Equipotential screw

Side



Electric

Supply voltage:

232226 (SM6V200) 400 V/3N ph/50 Hz

Electrical power:

40 kW

Installation:

Distance back floor tilted: 620 mm

Key Information:

Working Temperature MIN: 30 °C

Working Temperature MAX: 121 °C

External dimensions, Height: 1050 mm

External dimensions, Width: 1345 mm

External dimensions, Depth: 1070 mm

Net vessel useful capacity: 200 lt

Tilting mechanism: Automatic

Bearing: Front