

# turbofan®

Technical data sheet for

## H8T-FS-UC HOLDING CABINET - FULL SIZE

8 Tray Electric Under-counter Holding Cabinet TOUCH SCREEN CONTROL



### STANDARD FEATURES

- Under-counter 810mm unit height
- Designed for individual use or system installed with Turbofan E32T Convection Ovens
- 8 full size 460mm x 660mm / 18" x 26" sheet pan capacity
- 74mm tray spacing
- Compact 735mm width
- 220-240V plug-in 10A cordset fitted
- 1900W cabinet heating
- Full double skin construction
- Touch Screen Control
- Icon driven program menu
- Individual shelf timers
- USB port for program/icon updating
- Electronic temperature control
- Continuous door seal
- Low velocity circulation fan system
- Dual halogen cabinet interior lamps
- Cabinet drain to condensate pan
- 4 dia. 65mm castors with 2 front castors with wheel and swivel lock, 2 rigid rear castors
- 100% recyclable packaging



### H8T-FS-UC

Unit shall be a Moffat electrically heated Turbofan Under-counter Holding Cabinet. NSF.4 listed. The holding cabinet shall have double skin construction with stainless steel interior and exterior sides, front and top. Door shall be side hinged. Unit shall have capacity for 8 full size 460mm x 660mm / 18" x 26" sheet pans. A single speed fan shall gently and evenly circulate air around the cabinet. Cabinet shall be controlled by a 5.7" Touch Screen control with individual shelf timers and cabinet temperature control. Holding cabinet shall be mounted on castors, with two rigid castors at rear and two castors, swivel and wheel lock at front. Holding Cabinet shall be fitted with a 10A cordset. Unit shall be supplied in 100% recyclable shipping packaging.

# turbofan<sup>®</sup>

### H8T-FS-UC 8 Tray Electric Full Size Under-counter Holding Cabinet TOUCH SCREEN CONTROL

#### CONSTRUCTION

304 stainless steel interior cabinet  
Stainless steel front, sides and top exterior  
Stainless steel interior side racks  
Stainless steel frame, side hinged door  
5mm thick door glass  
Stainless steel control panel  
Aluminised coated steel rear panels  
Stainless steel base

#### CONTROLS

5.7" LED backlit touch screen  
Icon driven menu  
BMP image icon imports via USB port  
Program updates via USB port  
Individual shelf timers  
Temperature range 20- 90°C

#### CLEANING

Stainless steel top and side exterior panels  
Removable plug-in oven door seal (no tools required)

#### SPECIFICATIONS

Electrical Requirements  
220-240V, 50Hz, 1-phase, 2.05kW, 8.5A  
220-240V, 60hz, 1 phase, 2.05kW, 8.5A  
10A cordset fitted

#### External Dimensions

Width 735mm  
Height 810mm including dia. 65mm castors  
Depth 810mm

#### Nett Weight

81kg

#### Packing Data

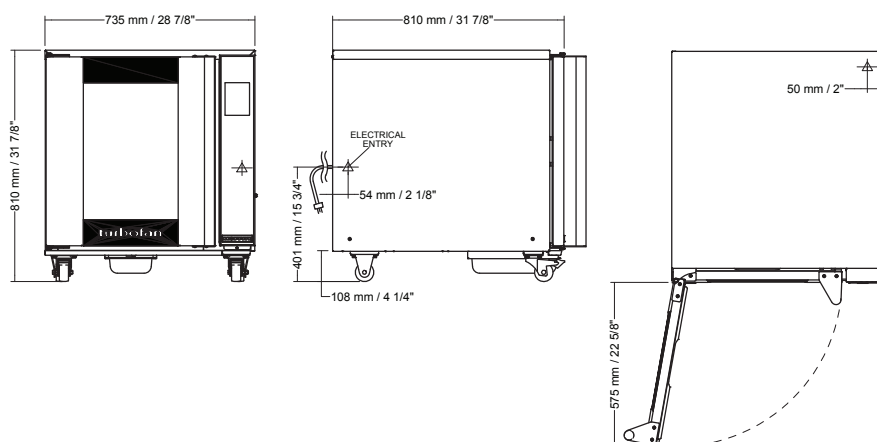
99kg  
0.80m<sup>3</sup>  
Width 780mm  
Height 1080mm  
Depth 960mm

#### INSTALLATION CLEARANCES

Rear 25mm  
LH Side 0mm  
RH Side 0mm

#### CLEARANCE FROM SOURCES OF HEAT

A minimum distance of 300mm from the appliance sides is required



an Ali Group Company



The Spirit of Excellence

**WA DEALER**  
**PRACTICAL PRODUCTS PTY LTD**

PH: 08 9302 1299  
51 Paramount Dr Wangara WA 6065  
sales@practicalproducts.com.au  
www.practicalproducts.com.au