
PLATINUM

SMART-HEAT™ ELECTRIC



Comfort without compromise...

The Platinum Smart-Heat™ Electric excels in efficiency, packing profound performance into a sleek package to suit high-end, style-centric settings. Designed specifically with low-clearance, semi-enclosed and aesthetically-focused spaces in mind, this heater minimizes light emission to blend seamlessly into rooflines with the aid of recess kits or stylishly mount to a number of other surfaces.



Updated 06.0716

FEATURES

Tinted Glass-Ceramic Screen

The Platinum's signature screen spreads comfort evenly across an area while minimizing light emission

Wafer-Thin Design

Wall, ceiling and flush-mounting options allow subtle placement of this compact heater practically anywhere!

Subtle Aesthetics

Elegantly understated to create comfort while blending into the environment

Precise Directional Heating

Accurately alter coverage through simple bracket adjustment

Ultra-Durable Design

Stainless steel construction ensures reliable heating for years to come

Tight Space Specialist

Minimal vertical clearance requirements and a multitude of mounting options offers versatility to a variety of enclosed outdoor areas

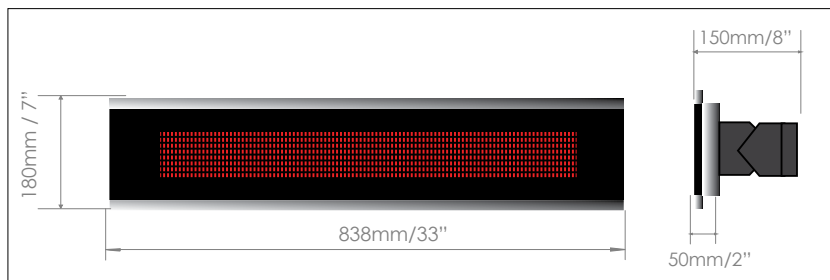
Ease Of Use

Single switch activation and smart control compatibility creates set-and-forget simplicity

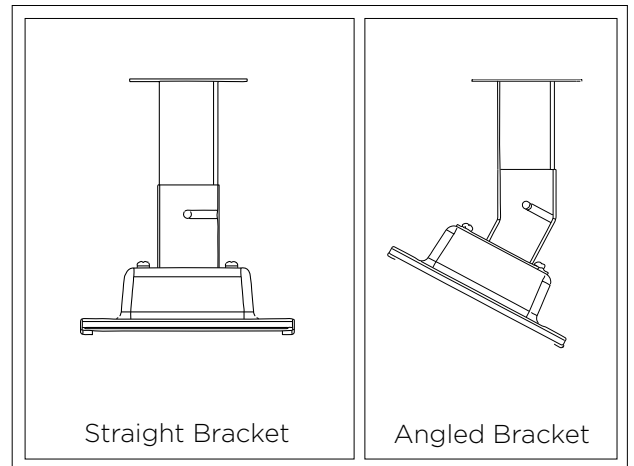
Wireless Control Capabilities

Genuine wireless control accessories allow seamless integration of remote heating output adjustment

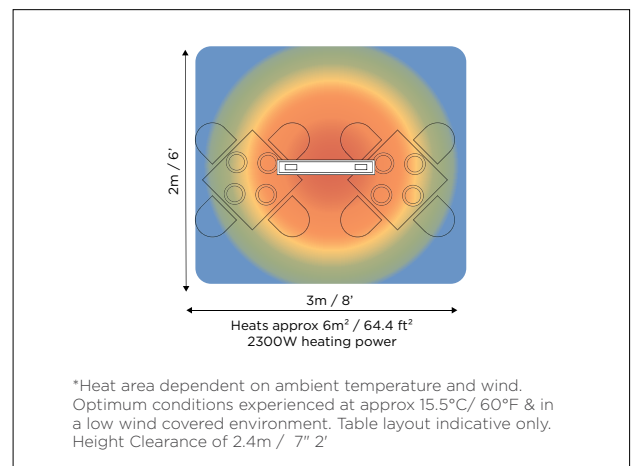
DIMENSIONS



BRACKET TYPES



HEAT AREA



SPECIFICATIONS	
Part No.	BH0320003
Heat Output (Watts)	2300W
Finish	Brushed Stainless Steel
Power connection (Volts/Amps)	220-240V / 9.3 Amps
Mounting Options	Ceiling Pole Mounting / Wall Mounting / Recessed
Minimum Mounting Height	Ceiling Mounting - 2400mm / Wall Mounting - 1800mm Ceiling Mounting - 7'10" / Wall Mounting - 5'10"
Minimum distance to combustible materials	Side: 9"
Dimensions excluding bracket W x H x D (Inches)	33" x 7" x 2"
Approx. Weight (lb)	16.5lb
*Must only be installed by a licensed technician	

MINIMUM INSTALLATION CLEARANCES

