

Heliosa 99 Waterproof Heater

99S40 - On/off control



SPECIFICATIONS

Power	4000 Watts
Heated area	40-45 m ²
Net weight	4.05 kg
Gross weight	5.55 kg
Warranty	4 Year Parts & 2 Years Labour <small>(Asset must be registered to activate full warranty)</small>

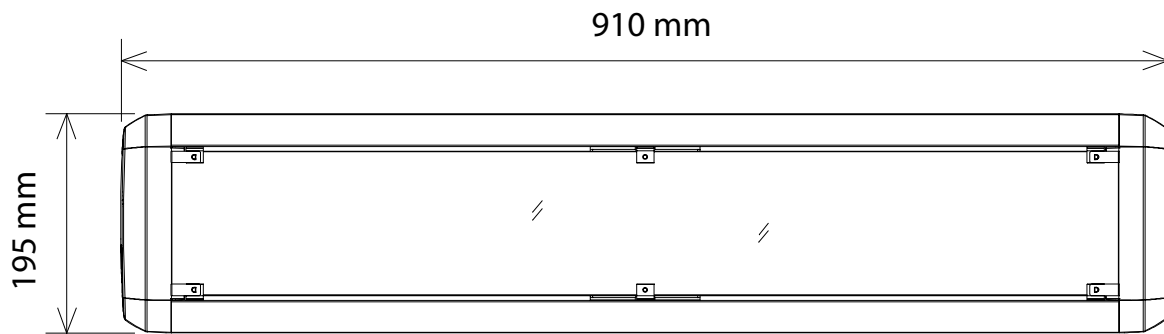
DIMENSIONS

External Width	910
External Height	195
External Depth	113

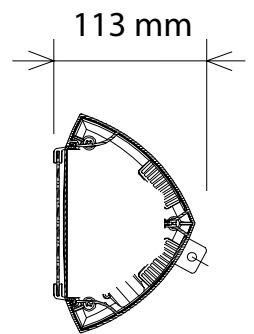
Main Features

- Heats up to 40-45 square metres
- IPX5 waterproof
- Silver colour
- Oven painted with epoxy powder
- Reflective aluminum reflector
- Power cable length 5 metres
- Suitable for both inside and outside areas
- Bluetooth control via smartphone app
- Remote control

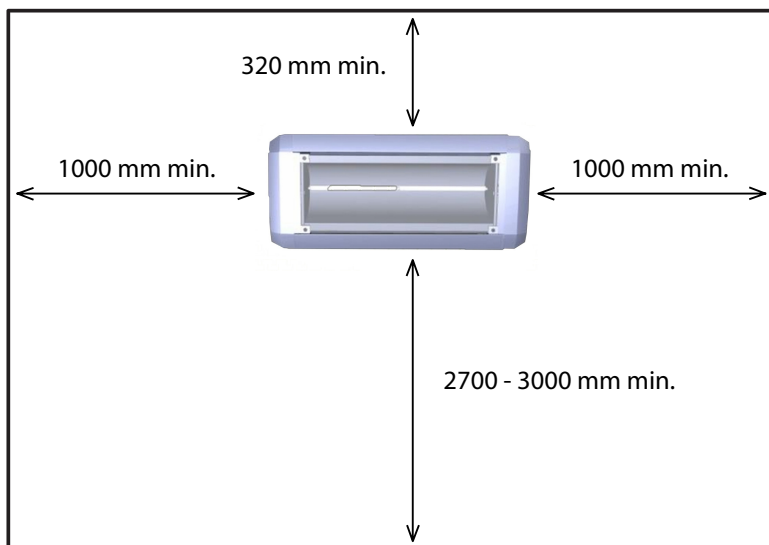
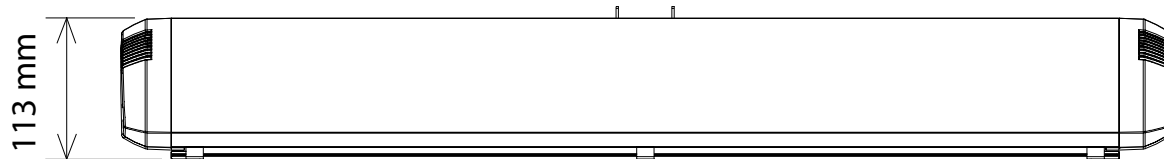
FRONT



SIDE

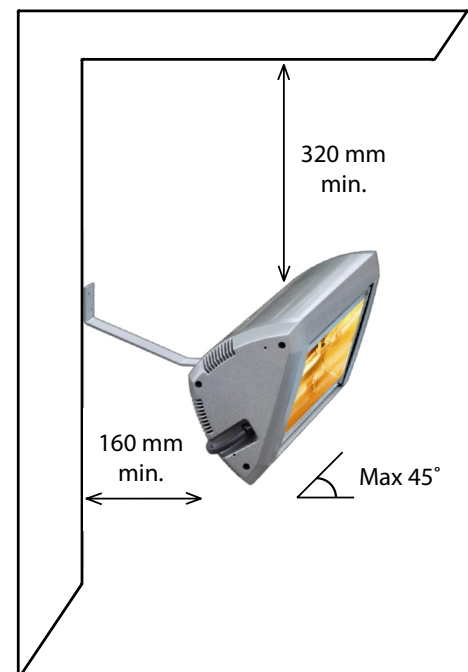


TOP



WALL INSTALLATION

Heliosa must be placed perfectly horizontal and outside distances as above.



WESTERN AUSTRALIA DEALER
Practical Products Pty Ltd
51 Paramount Drive Wangara WA 6065
Ph: 08 9302 1299
Email: sales@practicalproducts.com.au
Website: www.practicalproducts.com.au

We reserve the right to alter specifications without notice.