

Heliosa 9 Waterproof Heater

9S22 - On/off control



SPECIFICATIONS

Power	2200 Watts
Heated area	20-25 m ²
Net weight	2.45 kg
Gross weight	3.50 kg
Plug Supplied	10 amp, 5 metre cable
Warranty	4 Year Parts & 2 Years Labour <small>(Asset must be registered to activate full warranty)</small>

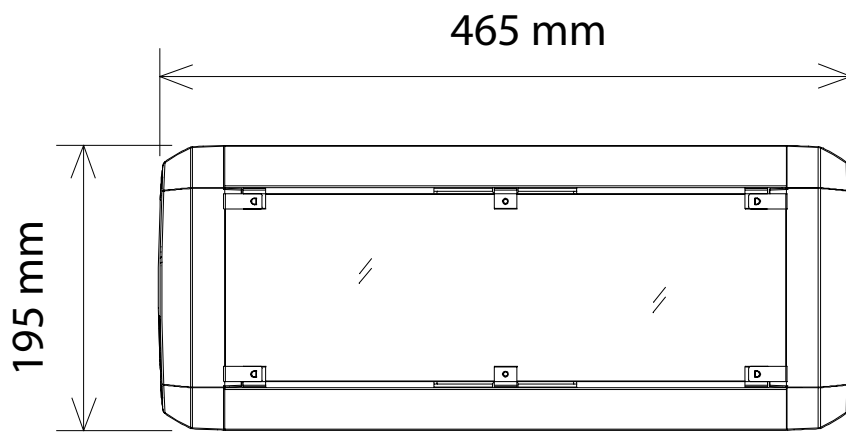
DIMENSIONS

External Width	465
External Height	195
External Depth	113

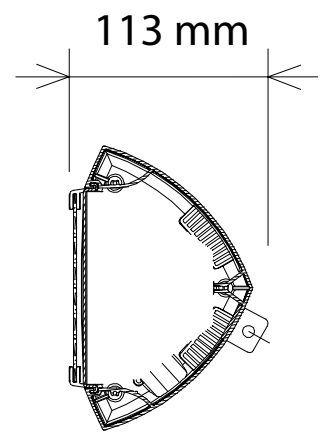
Main Features

- Heats up to 20-25 square metres
- IPX5 waterproof
- Silver colour
- Oven painted with epoxy powder
- Reflective aluminum reflector
- Power cable length 5 metres
- Suitable for both inside and outside areas

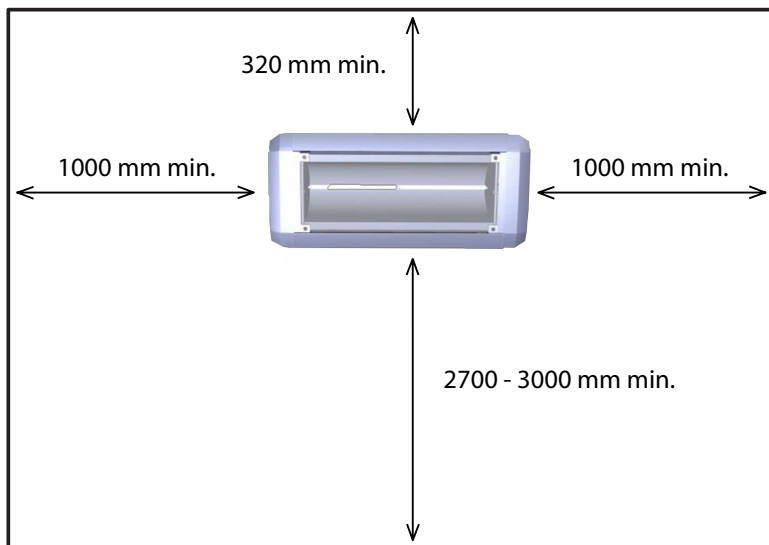
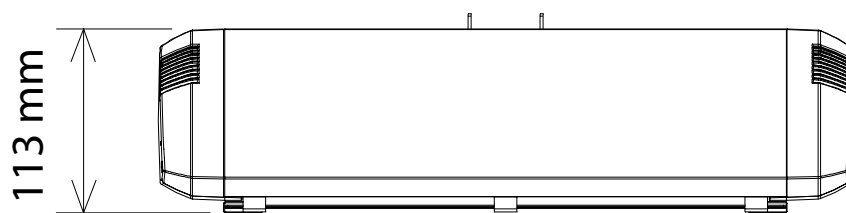
FRONT



SIDE

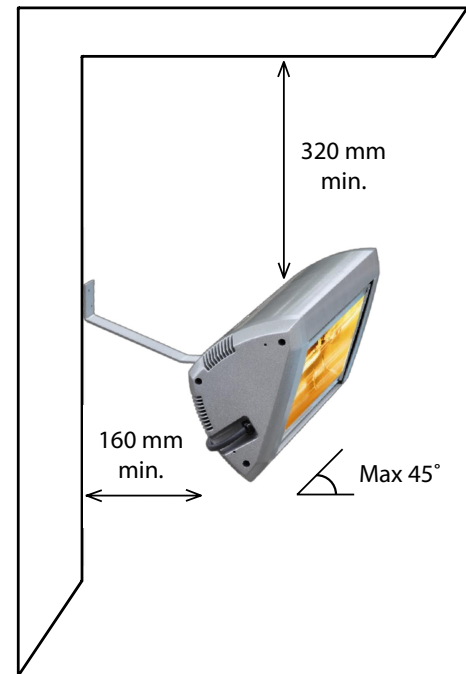


TOP



WALL INSTALLATION

Heliosa must be placed perfectly horizontal and outside distances as above.



We reserve the right to alter specifications without notice.

WESTERN AUSTRALIA DEALER

Practical Products Pty Ltd

51 Paramount Drive Wangara WA 6065

Ph: 08 9302 1299

Email: sales@practicalproducts.com.au

Website: www.practicalproducts.com.au