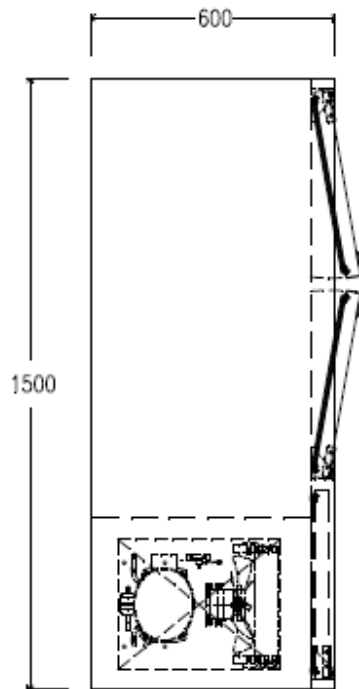


SNC-1506A



TWO SOLID DOOR UNDER COUNTER FREEZER



MODEL	SNC-1506A
Dimensions H x W x D mm	850 x 1500 x 600
Capacity (litres)	325L
Doors	2 x Self-Closing Stainless Steel Doors with barrel locks
Refrigerant	R404a – 240g
Temperature Range	-18~ - 22°C at 40°C Ambient 75% RH
Temperature Controller	Electronic - DIXELL
Electrical	220-240V/50HZ
Refrigeration System	Removable Cassette
Lighting	LED - Switched
Shelves	Adjustable height, white plastic coated steel wire shelves. 2 Shelves per door
Castors	Standard – 2 x Lockable (Adjustable legs optional)
Weight	87 kg
Approvals	C-Tick and Certificate of Suitability 