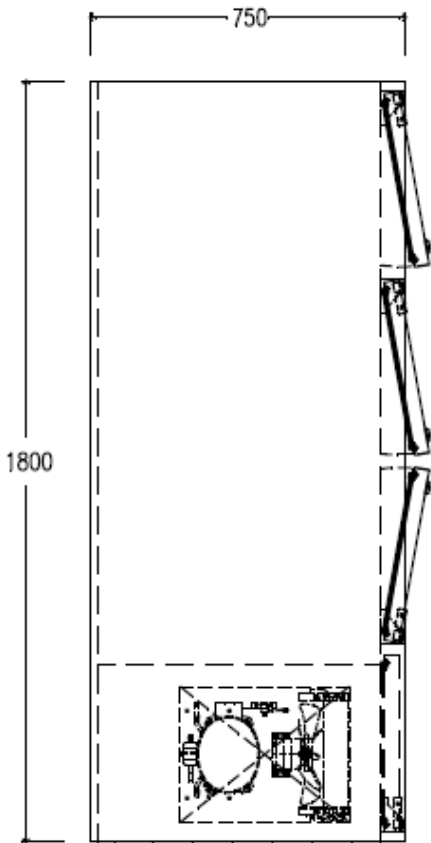


SNC-1807A



THREE SOLID DOOR UNDER COUNTER FREEZER



MODEL	SPC-1807A
Dimensions H x W x D mm	850 x 1800 x 750
Capacity (litres)	540L
Doors	3 x solid stainless steel self-closing door with barrel locks
Refrigerant	R404a – 240g
Temperature Range	-18 ~ -22°C at 38°C Ambient 75% RH
Temperature Controller	Electronic - DIXELL
Electrical	220-240V/50HZ
Refrigeration System	Removable Cassette
Lighting	LED - Switched
Shelves	Adjustable height, white plastic coated steel wire shelves. 2 Shelves per door
Castors	Standard – 2 x Lockable (Adjustable legs optional)
Weight	110 kg
Approvals	RCM and Certificate of Suitability 