



Fan cooling



Digital

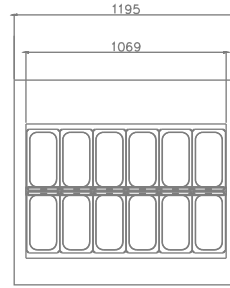


LED lamp

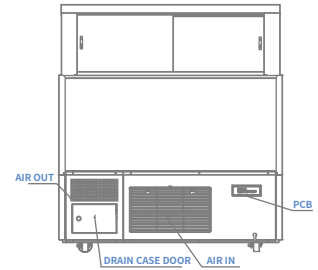
\* SGC-1200F



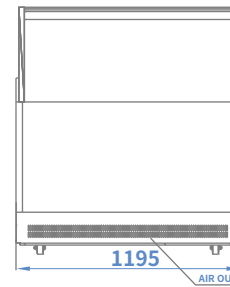
Tubs not included



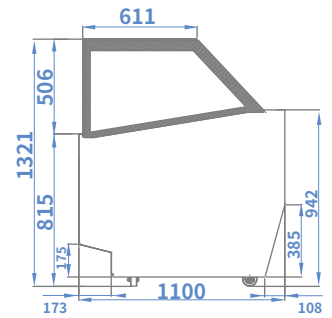
TOP



BACK



FRONT



SIDE

\* SGC-1500F



\* SGC-1800F



\* A lead time may apply to the models shown on this page.

MODEL	SGC-1200F	SGC-1500F	SGC-1800F
Classification		Freezer	
Cabinet Dimension (WxDxH mm)		1195 / 1547 / 1727 x 1034 x 1306	
Number of 1/3 Pans	12	16	18
Number of 1/2 Pans	8	10	12
Inner Temperature (°C)		-25 ~ -15	
Ambient Temperature(°C)		25(°C)	
Refrigerant		R-404a	
Insulation Type		Polyurethane / Cyclopentane + CFC Free	
Amps (A)	4.7	5.2	5.7
Voltage (V/Hz/Ph)		240 / 50 / 1	
Weight (Kg)	200	260	300
Door Type		Sliding Doors	
Power Plug		15A	
Power(W)	1034	1144	1254

GLASS DOOR MERCHANDISER

REACH-IN

UNDER COUNTER

BAR EQUIPMENT

ICE MAKER

DISPLAY CASE

SPECIAL MODEL

BAKING LINE