

# SKIPIO



## TABLE GELATO SHOWCASE

*SGT-700*



### Easy Reversible Door



### Gelato Tub Size



CODE	DESCRIPTION	DIMENSIONS mm
GE361608	Gelato & Ice Cream Pan 3.5 Litres	DIAM. 360 x 165 x h80
GE361612	Gelato & Ice Cream Pan 5 Litres	DIAM. 360 x 165 x h120
GE360165150	Gelato & Ice Cream Pan 6.5 Litres	DIAM. 360 x 165 x h150
GE360165180	Gelato & Ice Cream Pan 7.7 Litres	DIAM. 360 x 165 x h180



# SKIPIO

# SKIPIO

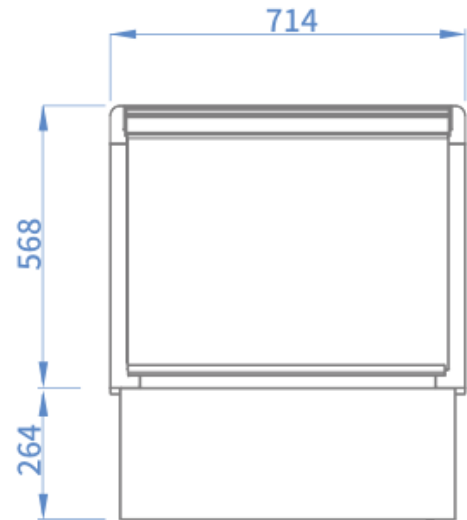
## TABLE GELATO SHOWCASE

*SGT-700*

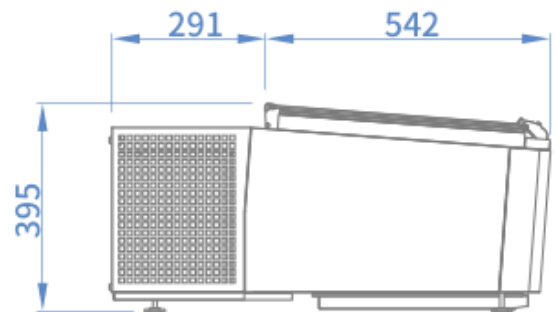
**MODEL : SGT-700B**

SPEC SHEET	SGT-700W / SGT-700B
Cabinet Dimension(W*D*Hmm)	714 X 831 X 395
# of 1/3 Pans	3
# of 1/2 Pans	2
Inner Temperature(°C)	-25~-15
Refrigerant	R-404a
Insulation Type	Polyurethane / cyclopentane + CFC Free
Amps(A)	2
Voltage (V/Hz/PH)	240 / 50 / 1
Weight (Kg)	45
Door Type	Glass Door
Door Attachment	Front door / Back door
Power Plug	10A

**PLAN VIEW**



FRONT VIEW



SIDE VIEW

**WARRANTY 2 YEARS**  
PARTS & LABOUR



**PRACTICAL PRODUCTS**  
PTY LTD

ESTD 1988

WA DEALER

Practical Products Pty Ltd

Ph: 08 9302 1299

51 Paramount Drive Wangara WA 6065

sales@practicalproducts.com.au

www.practicalproducts.com.au