

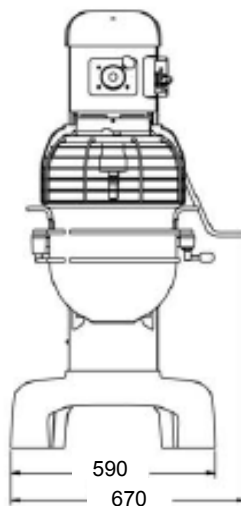
40 quart floor mount electronic control planetary mixer with accessories & No. 12 attachment hub



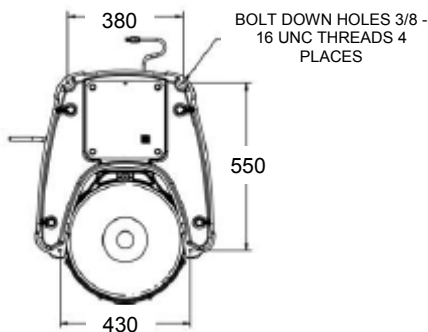
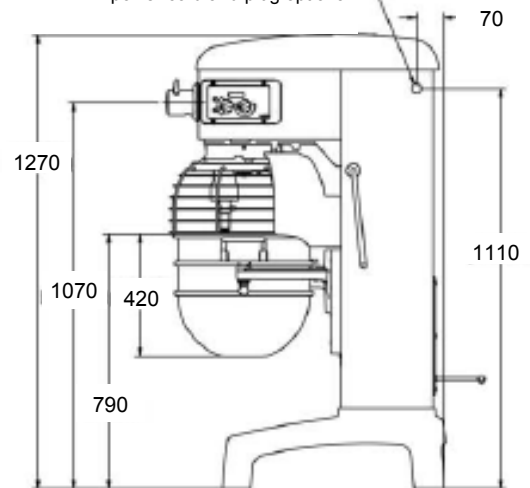
- Stainless steel **easy-on-easy-off bowl safety guard**
- Heavy-duty 1.12kW (1.5HP) motor
- **Gear transmission**
- 3 Speed, plus stir speed electronic control mixer with **SHIFT-ON-THE-FLY™** speed selection
- **Quick release agitators**
- Patented **SOFT START** agitation technology
- 20 minute **SMART TIMER™**
- Automatic time recall
- Large **easy-to-reach** controls
- Single point bowl installation
- Ergonomic **swing-out bowl**
- No. 12 attachment hub
- **Easy-clean** open base
- **Rubber foot pads provided**
- Optional accessories - Bowl scraper, splash cover and mincing attachment

Technical Data

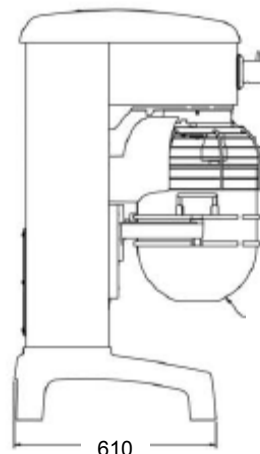
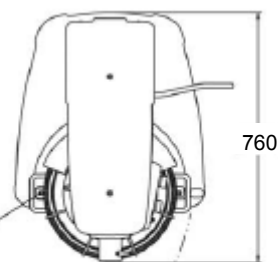
Bowl size	40 quart
Speeds	3 fixed plus stir speed with SHIFT-ON-THE-FLY™
Timer	20 minute SMART TIMER™
Safety guard	Stainless steel bowl guard, easy-on-easy-off
Standard inclusions	Stainless Steel Bowl (BOWL-HL40)
	B-Beater (BBEATER-HL4030)
	Stainless Steel D-Whip (DWHIP-HL4030)
	ED-Dough Hook (EDDOUGH-HL40SS)
Drive mechanism	Gear driven
Motor size	1.12kW
Power supply	415/50/3 - 10amp (max 2.7amps)
Power cord	Optional - refer to pricing page
Shipping weight	205kg



28mm hole for 3 phase power connection
- power cord and plug optional



R460mm swing



40 QUART STAINLESS STEEL BOWL - OUTSIDE DIAMETER 390mm