

## C9A

### 900mm Griddle Gas Cooktop



C9A

- 900mm wide
- 3 griddle burners with pilot, flame failure and piezo ignition
- Machine finished griddle plate 12mm thickness
- Open cabinet base for extra storage
- Adjustable front feet and rear rollers
- Stainless steel finish
- Fully modular

#### Also Available



C9B



C9C



C9D

#### OVERALL CONSTRUCTION

- 12mm machined surface mild steel griddle plate
- Stainless steel front, sides and splashback
- Vitreous enamelled control panel
- Stainless steel cabinet interior base
- Stainless steel spill tray
- 63mm dia. stainless steel adjustable legs to front and two rollers at rear

#### CONTROLS

- Large easy use control knobs
- Variable high to low controls to griddle burners
- Standard with pilot, flame failure and piezo ignition

#### CLEANING AND SERVICING

- Easy clean stainless steel exterior
- Stainless steel grease trays
- Access to all parts from front of unit

#### Matching Products



CW2H



CSP6



CN4



CT9



CW3H



CW1H



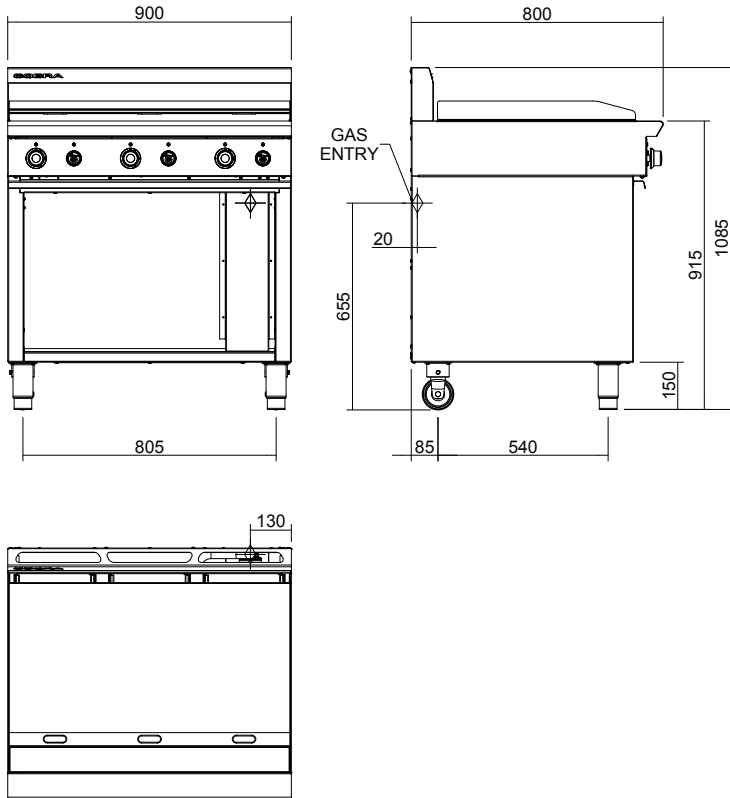
CP4



CS9 / C900-S

## C9A

### 900mm Griddle Gas Cooktop



C9A

#### SPECIFICATIONS

##### Burners

Griddle Burners;  
20MJ/hr, 5.0kW per 300mm section

Gas power (gross)  
C9A 60MJ/hr, 16.7kW

Gas connection  
R 3/4 (BSP) male  
130mm from RH side, 20mm from  
rear, and 655mm from floor

##### Dimensions

Width 900mm  
Depth 800mm  
Height 915mm  
Incl. splashback 1085mm  
Nett weight  
93.5kg

##### Packing data

1.21m<sup>3</sup>, 134kg  
Width 1010mm  
Depth 955mm  
Height 1250mm

##### Gas types

Available in Natural gas and LP gas,  
please specify when ordering  
Other gas types on request



Cert. No. AGA 7225G

an Ali Group Company



The Spirit of Excellence



**WA DEALER**  
**PRACTICAL PRODUCTS PTY LTD**

PH: 08 9302 1299  
51 Paramount Dr Wangara WA 6065  
sales@practicalproducts.com.au  
www.practicalproducts.com.au