

CT9

900mm Gas Griddle Toaster



CT9

- 900mm wide
- 3 x 21MJ/hr burners
- Flame failure protection with continuous pilot burner and piezo ignition
- 12mm thick griddle plate
- 5-position toasting rack
- Full width grease trough and removable collection tray
- Open cabinet base for extra storage
- Adjustable front feet and rear rollers
- Stainless steel finish

OVERALL CONSTRUCTION

- 12mm machined surface mild steel griddle plate
- Vitreous enamelled control panel
- Three burners with individual pilot and flame failure
- Aluminised steel crumb tray
- Stainless steel exterior
- Chrome plated toasting rack and rack supports
- Three stainless steel grease trays
- 63mm dia. stainless steel adjustable legs to front and two rollers at rear

CONTROLS

- Large easy use control knobs
- Triple controls with variable high to low burner setting
- Flame failure pilot burners
- Piezo ignition to pilot burners

CLEANING AND SERVICING

- Removable grill rack system, rack supports and crumb tray
- Removable grease trays
- Easy clean stainless steel exterior
- Access to all parts from front of unit

Matching Products



CW2H



CSP6



CN4



CW3H



CW1H



CP4



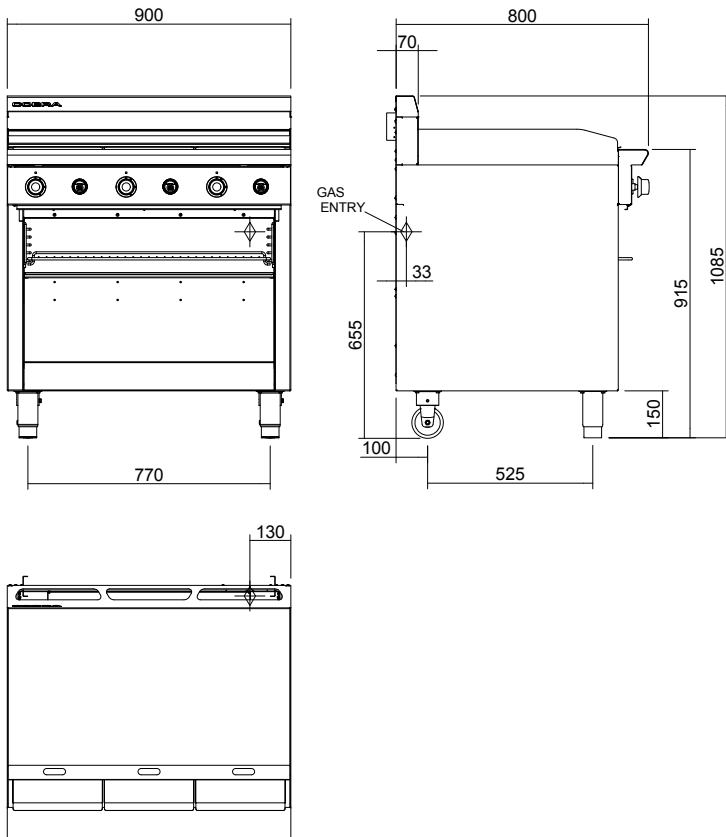
CS9 / C900-S



CR9D

CT9

900mm Gas Griddle Toaster



CT9

SPECIFICATIONS

Burners
3 x 21MJ/hr, 5.8kW tubular burners with grill radiants

Gas power (gross)
63MJ/hr, 16.5kW

Cooking surface
890mm x 520mm, 4628cm²

Toaster dimensions
Rack size 770mm x 430mm
Rack positions 5

Gas connection
R 1/2 (BSP) male
130mm from RH side, 32mm from rear, and 655mm from floor

Dimensions
Width 900mm
Depth 800mm
Height 915mm
Incl. splashback 1085mm

Nett weight
124kg

Packing data
1.21m³, 164.5kg
Width 1010mm
Depth 955mm
Height 1250mm

Gas types
Available in Natural gas and LP gas, please specify when ordering
Other gas types on request



Cert. No. AGA 6869G

an Ali Group Company



The Spirit of Excellence



WA DEALER
PRACTICAL PRODUCTS PTY LTD

PH: 08 9302 1299
51 Paramount Dr Wangara WA 6065
sales@practicalproducts.com.au
www.practicalproducts.com.au