



AAR.5B
36" OVEN RANGE



PROJECT _____
 ITEM _____
 QUANTITY _____
 DATE _____

The 36" Range Series is designed for heavy duty use and performance. All the latest technology is incorporated to provide the best value for money.

Quality, dependability and customer satisfaction make American Range the ultimate choice.

FEATURES & BENEFITS:

- 303mm open burners over integrated static oven
- Cast iron trivet is reversible to accept flat pans or woks
- All stainless steel front, sides, rear flue
- Heavy gauge welded frame construction with heavy duty stainless steel landing ledge
- Chrome plated steel legs
- Removable stainless steel door for easy cleaning
- Oven thermostat controls temperature from 70°C - 260°C
- Two chrome plated oven racks in enamelled oven bottom, sides, back and door liner
- Two piece, lift-off easy clean burners
- Removable drip pan under open burners
- Open burner – Manually lit, No pilot, with flame failure. Simple - low maintenance
- Oven burner – Piezo ignition with pilot

TECHNICAL DATA:

Dimensions (W x D x H):	914 x 828 x 1137	
Total Weight:	181 Kg	
Burners:	5 x 26MJ/Hr burners	
Oven:	25MJ/Hr 667 x 572 x 337mm cavity	

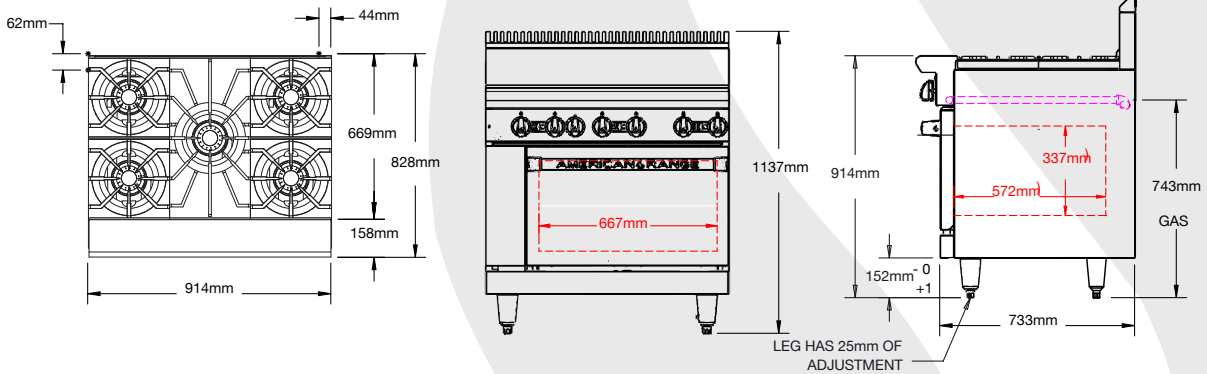
GAS DETAILS	Natural Gas (NG)	Universal LP Gas (ULPG)
Minimum Supply Pressure	1.13 kPa	2.75 kPa
Operating Pressure	1.0 kPa	2.49 kPa
Total Gas Supply	155MJ/Hr	154MJ/Hr

3/4" BSP connection

NOTE: It is the responsibility of the installing gas plumber to ensure correct supply and connection sustaining appropriate pressure when all appliances are full on.

OPTIONAL EXTRAS:

- Castor kits
- Additional chrome oven rack
- Innovection oven to substitute static oven



Practical Products Pty Ltd
 Ph: 08 9302 1299 Fax: 08 9309 2160
 51 Paramount Drive Wangara WA 6065
 sales@practicalproducts.com.au
 www.practicalproducts.com.au

