

AARRB.36

CHAR GRILLS



Model shown with optional equipment stand

TECHNICAL DATA:

Dimensions (W x D x H): 914 x 828 x 437 (1137)*

Total Weight: 129 Kg

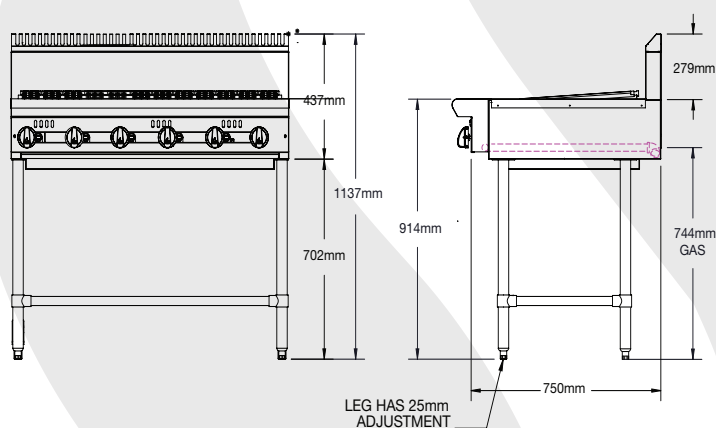
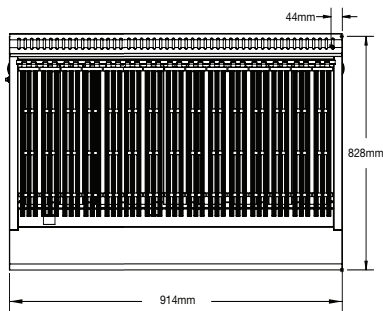
Char Grill: 914mm wide 96MJ/Hr Char Grill

GAS DETAILS	Natural Gas (NG)	Universal LP Gas (ULPG)
Minimum Supply Pressure	1.13 kPa	2.75 kPa
Operating Pressure	1.0 kPa	2.49 kPa
Total Gas Supply	96MJ/Hr	90MJ/Hr

3/4" BSP connection

*Height on optional stand

NOTE: It is the responsibility of the installing gas plumber to ensure correct supply and connection sustaining appropriate pressure when all appliances are full on.



PROJECT _____

ITEM _____

QUANTITY _____

DATE _____

The Char Grill Series is designed for heavy duty use and performance. All the latest technology is incorporated to provide the best value for money.

Quality, dependability and customer satisfaction make American Range the ultimate choice.

FEATURES & BENEFITS:

- Heavy duty radiants for optimum heat distribution to cast iron grates
- Radiants are individually removable for easy cleaning
- Heavy duty cast top grates are angled to control flare-up. Reversible for flexibility of cooking different proteins.
- 14 gauge all welded heavy duty reinforced firebox
- Stainless steel polished front and trim for easy cleaning, with fully insulated double layered steel chassis
- Individually controlled stainless steel burners placed every 140mm, providing maximum output, flexibility and low maintenance
- Removable full width drip pan under char grill
- Char Grill burner - Manually lit with pilot. Simple - low maintenance

OPTIONAL EXTRAS:

- 102mm adjustable legs
- Equipment stand
- Castor kits