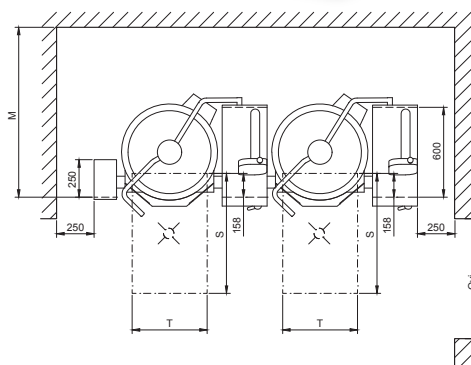
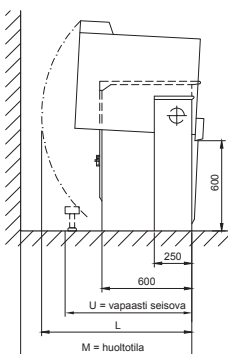
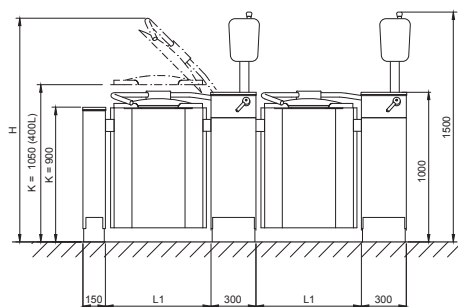


Viking 4G Steam Combi Jacketed Kettle Viking 4G COMBI 150S (4224228)

Standard Features

- Kettle with integrated mixer
- 150 litre capacity
- Steam heated version
- Elevated control pillar with selected features
- Mixing speed control 20-110 rpm/min, autoreverse
- Two mixing programs
- Electric tilting – tilting height 600mm
- Auto tilt-back
- Safety grid lid
- Measuring stick
- Retractable handshower
- Strainer plate
- Stainless steel construction
- Unit shown includes free standing floor kit - other options available

Please refer to Moffat price list for options and accessories



Technical Data

Net Volume 150 L
Spare Volume 19 L
Gross Volume 169 L

Dimensions

Width 1360mm
Height 1500mm
Depth 880mm

Connections

Water Cold ø15mm
Hot ø10mm
Steam R 1" 45 kg/hr
Cond. Outlet R ¾"

Electrical Power 3.6 kW
Voltage 230V,
1P+N+E 50/60Hz
AMP 16A

Total Heat 20 kW
Load Latent 1.0 kW,
Sensible 4.3 kW

Waste By kitchen
contractor
Nett Weight 300 kg

Model	L1 mm	H mm	L mm	M mm	U mm	T mm	Door mm
150S	910	1945	1075	1170	1110	600	1000



WA DEALER
PRACTICAL PRODUCTS PTY LTD

PH: 08 9302 1299
51 Paramount Dr Wangara WA 6065
sales@practicalproducts.com.au
www.practicalproducts.com.au