

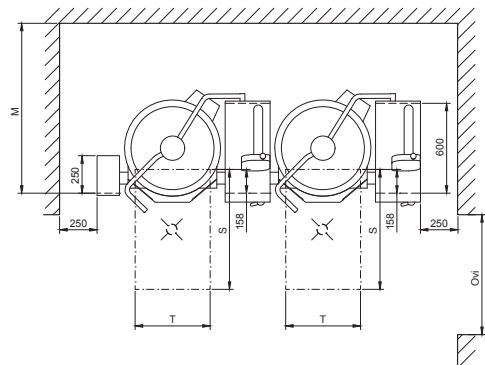
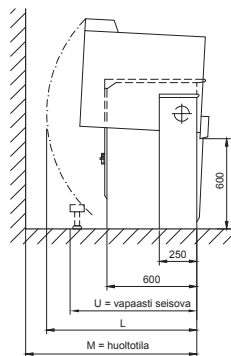
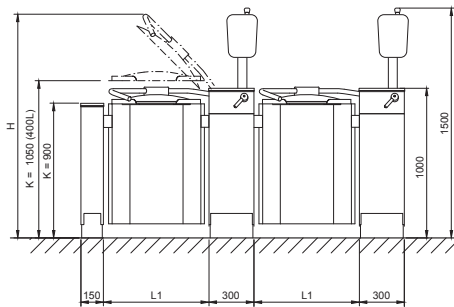
## Viking 4G Electric Combi Jacketed Kettle

### Viking 4G COMBI 300E (4224212)

#### Standard Features

- Kettle with integrated mixer
- 300 litre capacity
- Electric heated version
- Elevated control pillar with selected features
- Mixing speed control 20-110 rpm/min, autoreverse
- Two mixing programs
- Electric tilting – tilting height 600mm
- Auto tilt-back
- Safety grid lid
- Measuring stick
- Retractable handshower
- Strainer plate
- Stainless steel construction
- Unit shown includes free standing floor kit - other options available

Please refer to Moffat price list for options and accessories



#### Technical Data

Net Volume 300 L  
Spare Volume 33 L  
Gross Volume 333 L

#### Dimensions

Width 1560mm  
Height 1500mm  
Depth 1073mm

#### Connections

Water Cold ø15mm  
Hot ø15mm

Electrical Power 43.6 kW  
Voltage 400-415V,  
3P+N+E 50/60Hz  
AMP 80A

Total Heat 43.6 kW  
Load Latent 1.9 kW,  
Sensible 9.6 kW

Waste By kitchen  
contractor  
Nett Weight 410 kg

Model	L1 mm	H mm	L mm	M mm	U mm	T mm	Door mm
300E	1110	2110	1280	1320	1010	600	1010



**WA DEALER**  
**PRACTICAL PRODUCTS PTY LTD**

PH: 08 9302 1299  
51 Paramount Dr Wangara WA 6065  
sales@practicalproducts.com.au  
www.practicalproducts.com.au