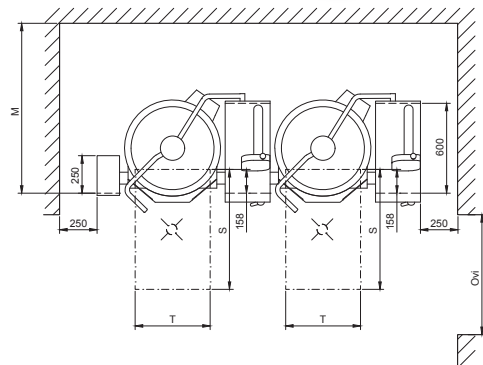
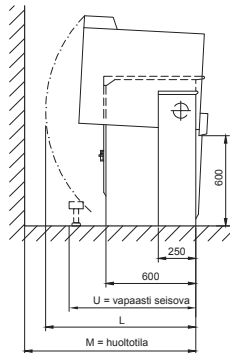
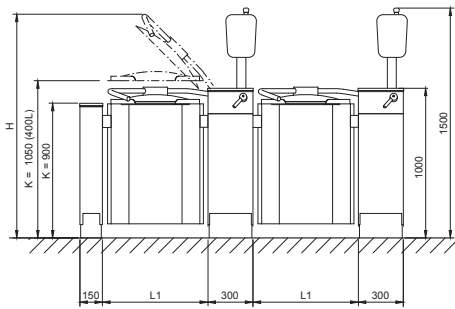


## Viking 4G Steam Combi Jacketed Kettle Viking 4G COMBI 40S (4224220)

### Standard Features

- Kettle with integrated mixer
- 40 litre capacity
- Steam heated version
- Elevated control pillar with selected features
- Mixing speed control 20-110 rpm/min, autoreverse
- Two mixing programs
- Electric tilting – tilting height 600mm
- Auto tilt-back
- Safety grid lid
- Measuring stick
- Retractable handshower
- Strainer plate
- Stainless steel construction
- Unit shown includes free standing floor kit - other options available

Please refer to Moffat price list for options and accessories



### Technical Data

Net Volume	40 L	Electrical	Power 2.2 kW
Spare Volume	8 L		Voltage 230V,
Gross Volume	48 L		1P+N+E 50/60Hz
Dimensions			AMP 10A
Width	1047mm	Total Heat	9kW
Height	1500mm	Load	Latent 0.4 kW,
Depth	706mm		Sensible 2.4 kW
Connections		Waste	By kitchen contractor
Water	Cold ø15mm	Nett Weight	195 kg
	Hot ø10mm		
Steam	R ¾" 12 kg/hr		
Cond. Outlet	R ½"		

Model	L1 mm	H mm	L mm	M mm	U mm	T mm	Door mm
40S	597	1740	870	1055	860	400	800

**Australia**  
moffat.com.au  
**Moffat Pty Limited**  
740 Springvale Road  
Mulgrave  
Victoria 3170  
Australia  
Telephone +613-9518 3888  
Facsimile +613-9518 3833  
vsales@moffat.com.au

**New Zealand**  
moffat.co.nz  
**Moffat Limited**  
45 Illinois Drive  
Izone Business Hub  
Rolleston 7675  
New Zealand  
Telephone +64 3-983 6600  
Facsimile +64 3-983 6660  
sales@moffat.co.nz



Disclaimer: All unit capacities are based on subjective testing. Moffat accepts no liability for production values. In line with policy to continually develop and improve its products, Moffat Limited reserves the right to change specifications and design without notice.

© Copyright Moffat Ltd  
AN-MET-S-2001

**WA DEALER**  
**PRACTICAL PRODUCTS PTY LTD**

PH: 08 9302 1299  
51 Paramount Dr Wangara WA 6065  
sales@practicalproducts.com.au  
www.practicalproducts.com.au

an Ali Group Company



The Spirit of Excellence