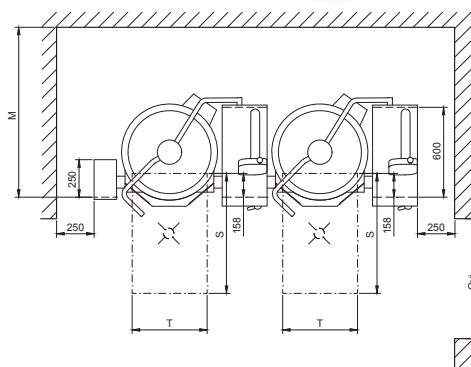
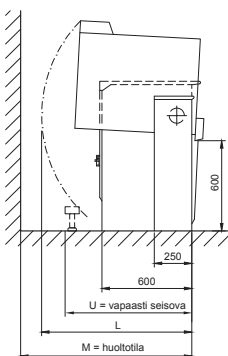
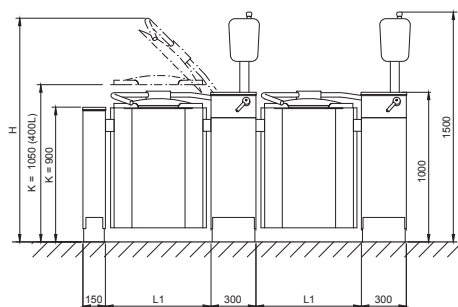


Viking 4G Steam Combi Jacketed Kettle Viking 4G COMBI 80S (4224224)

Standard Features

- Kettle with integrated mixer
- 80 litre capacity
- Steam heated version
- Elevated control pillar with selected features
- Mixing speed control 20-110 rpm/min, autoreverse
- Two mixing programs
- Electric tilting – tilting height 600mm
- Auto tilt-back
- Safety grid lid
- Measuring stick
- Retractable handshower
- Strainer plate
- Stainless steel construction
- Unit shown includes free standing floor kit - other options available

Please refer to Moffat price list for options and accessories



Technical Data

Net Volume 80 L
Spare Volume 11 L
Gross Volume 91 L

Dimensions

Width 1154mm
Height 1500mm
Depth 725mm

Connections

Water Cold ø15mm
Hot ø10mm
Steam R ¾" 24 kg/hr
Cond. Outlet R ½"

Electrical Power 2.2 kW
Voltage 230V,
1P+N+E 50/60Hz
AMP 10A
Total Heat 12 kW
Load Latent 0.8 kW,
Sensible 3.4 kW
Waste By kitchen
contractor
Nett Weight 225 kg

Model	L1 mm	H mm	L mm	M mm	U mm	T mm	Door mm
80S	704	1745	1010	1235	890	500	800



Disclaimer: All unit capacities are based on subjective testing. Moffat accepts no liability for production values. In line with policy to continually develop and improve its products, Moffat Limited reserves the right to change specifications and design without notice.

© Copyright Moffat Ltd
AN-MET-S-2001

WA DEALER
PRACTICAL PRODUCTS PTY LTD

PH: 08 9302 1299
51 Paramount Dr Wangara WA 6065
sales@practicalproducts.com.au
www.practicalproducts.com.au