

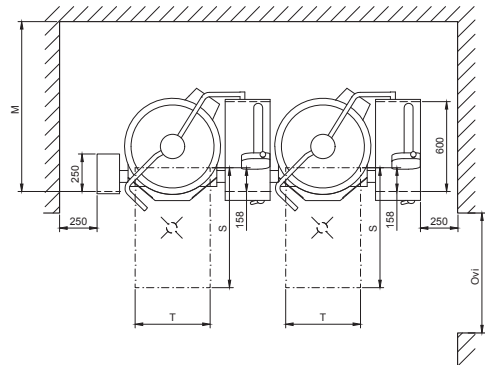
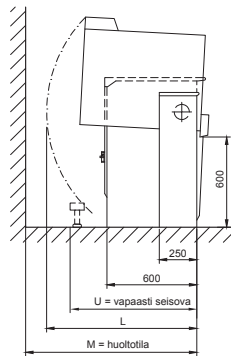
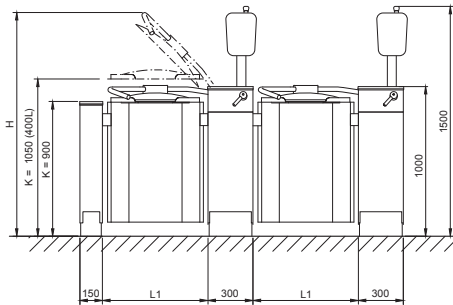
## Viking 4G Electric Static Jacketed Kettle

### Viking 4G 80E (4224104)

#### Standard Features

- 80 litre capacity
- Electric heated version
- Elevated control pillar with selected features
- Electromechanical controls
- Stepless temperature control
- Electric tilting – tilting height 600mm
- Auto tilt-back
- Measuring stick
- Retractable handshower
- Strainer plate
- Stainless steel construction
- Unit shown includes free standing floor kit - other options available

Please refer to Moffat price list for options and accessories



#### Technical Data

Net Volume 80 L  
Spare Volume 11 L  
Gross Volume 91 L

#### Dimensions

Width 1154mm  
Height 1500mm  
Depth 725mm

#### Connections

Water Cold ø15mm  
Hot ø10mm

Electrical Power 12 kW  
Voltage 400-415V,  
3P+N+E 50/60Hz  
AMP 20A

Total Heat Load 12 kW  
Latent 0.8 kW,  
Sensible 3.4 kW

Waste By kitchen contractor  
Nett Weight 185 kg

Model	L1 mm	H mm	L mm	M mm	U mm	T mm	Door mm
80E	704	1745	1010	1235	890	500	800

**Australia**  
[moffat.com.au](http://moffat.com.au)  
**Moffat Pty Limited**  
740 Springvale Road  
Mulgrave  
Victoria 3170  
Australia  
Telephone +613-9518 3888  
Facsimile +613-9518 3833  
[vsales@moffat.com.au](mailto:vsales@moffat.com.au)

**New Zealand**  
[moffat.co.nz](http://moffat.co.nz)  
**Moffat Limited**  
45 Illinois Drive  
Izone Business Hub  
Rolleston 7675  
New Zealand  
Telephone +64 3-983 6600  
Facsimile +64 3-983 6660  
[sales@moffat.co.nz](mailto:sales@moffat.co.nz)



Disclaimer: All unit capacities are based on subjective testing. Moffat accepts no liability for production values. In line with policy to continually develop and improve its products, Moffat Limited reserves the right to change specifications and design without notice.

© Copyright Moffat Ltd  
AN-MET-S-2001

**WA DEALER**  
**PRACTICAL PRODUCTS PTY LTD**

PH: 08 9302 1299  
51 Paramount Dr Wangara WA 6065  
[sales@practicalproducts.com.au](mailto:sales@practicalproducts.com.au)  
[www.practicalproducts.com.au](http://www.practicalproducts.com.au)

an Ali Group Company



The Spirit of Excellence