

Varimixer

KODIAK 20

Table model

VERY SIMPLE INTUITIVE OPERATION Set the time and speed. Press start and stop. It's that simple, and everything is controlled at an ergonomic working height from the angled control panel.

RUNS ON 230 VOLTS KODIAK can be connected to a normal power outlet. A frequency converter and a three-phase motor make Varimixer KODIAK a very powerful mixer.

FRONT ATTACHMENT DRIVE KODIAK is also available with an attachment drive for meat mincers and vegetable slicers.

PATENTED DETACHABLE SAFETY GUARD The guard has an integrated filling tray, is made of transparent polycarbonate and is dishwasher-safe. It can be attached instantly without tools. The guard is held in place by magnets, which also serve as a safety cut-off.

WORLD'S MOST EFFECTIVE WHIP Unique design increases speed at the periphery and reduces the working time.

TWO MACHINES IN ONE The KODIAK 20-litre model can be supplemented with a smaller 12-litre bowl and associated tools, for production in reduced quantities. This increases the machine's versatility.

ERGONOMIC RAISING AND LOWERING The ergonomically designed handle lowers and raises the bowl and locks it in place in a single movement.

IP44 FROM 2018 From 2018, Varimixer KODIAK can be cleaned in line with the IP44 standard.

STAINLESS STEEL Made of easy-to-clean stainless steel with a strong frame and high, adjustable legs, to allow cleaning under the machine. The bowl, wire whip, beater, dough hook and scraper are also made of stainless steel and are dishwasher-safe.

HEIGHT-ADJUSTABLE LEGS



VARIMIXER KODIAK OPTIONS – MODELS



Stainless steel, 20 L table model



Marine version, 20 L table model

OPTIONS – ATTACHMENT DRIVE



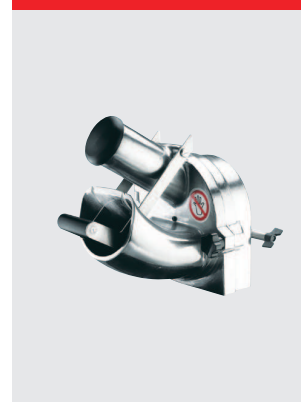
Attachment drive for meat mincer and vegetable cutter



Meat mincer, 70 mm



Meat mincer, 82 mm



Vegetable cutter GR20

VARIMIXER KODIAK STANDARD TOOLS – A-EQUIPMENT 20 L



Hook, whip, beater and bowl 20 L in stainless steel.

VARIMIXER KODIAK TOOLS – B-EQUIPMENT 20/12 L



Hook, whip, beater and bowl 20/12 L in stainless steel.

ACCESSORIES - TOOLS



Automatic scraper in stainless steel. Nylon or teflon blade. 20L and 20/12L.



Tool rack, 91 cm

VARIMIXER KODIAK 20L STANDARD

Stainless steel
1 bowl 20 liter in stainless steel
1 beater in stainless steel
1 hook in stainless steel
1 whip with stainless steel wires
Removable magnetic safety guard guard plastic – CE-certified
Digital timer and emergency stop
Voltage: 1 ph, 230V, 50-60 Hz. 700 W

VARIMIXER KODIAK 20L STANDARD TECHNICAL DATA

Volume	20 l
Effect	700 W
Voltage*	230 V
Net weight table model	72 kg
Variable speed	64 - 353 RPM
Phases	1 ph
IP code	IP44

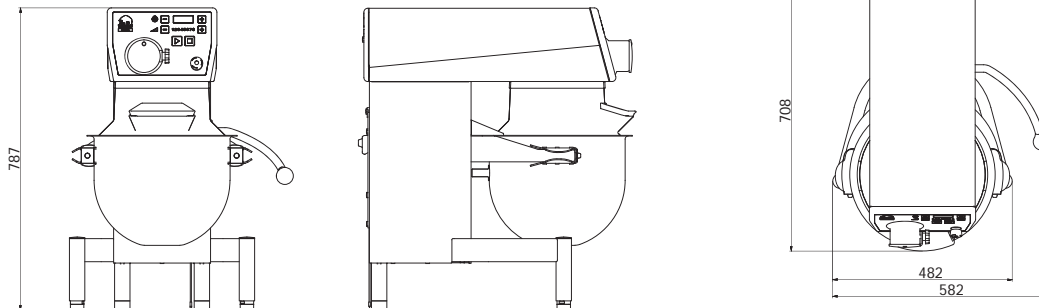
*Other voltage power supply are available upon request in the range of 100 to 480 V. All standard and marine mixers are available in 50 and 60 Hz.

VARIMIXER KODIAK 20L MARINE VERSION

Water cover at air ventilation, slotted free screws, fixed sealed power cable, supplied without plug. Gasket at machine lid. Built in transformer. Complies with USPHS.

Voltage: 2 ph, 400V, 50-60 Hz with 0 and ground. 700 W
2 ph, 440V, 50-60 Hz with 0 and ground. 700 W
2 ph, 480V, 50-60 Hz with 0 and ground. 700 W

DIMENSIONS



CAPACITIES

Egg Whites	2.4 l
Whipped cream	5.0 l
Mayonnaise	16 l
Herb butter	10 kg
Mashed potatoes	12 kg
Bread dough (50% AR)	10 kg
Bread dough (60% AR)	11 kg
Ciabatta dough (70% AR)	12 kg
Muffins	14 kg
Layer cake base	5.0 kg
Meatball mix	15 kg
Icing	14 kg
Doughnut (50% AR)	12.5 kg

CERTIFICATIONS



Varimixer



WA DEALER
PRACTICAL PRODUCTS PTY LTD

A/S Wodschow & Co
Kirkebjerg Søpark 6
DK-2605 Brøndby
P: +45 4344 2288
E: info@varimixer.com
www.varimixer.com

PH: 08 9302 1299
51 Paramount Dr Wangara WA 6065
sales@practicalproducts.com.au
www.practicalproducts.com.au