



AUSTRALIA'S BUSIEST KITCHENS
RELY ON COOKON.



COOKON GR4C SERIES

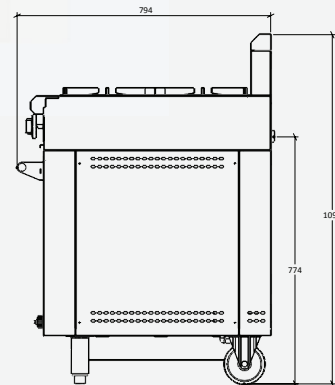
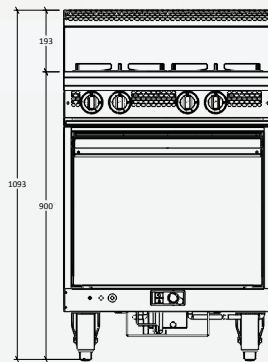
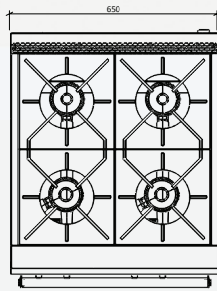
HEAVY DUTY GAS CONVECTION OVEN RANGE

The GR-4C series is a gas fired heavy duty convection gas oven range. The units' design allows for different cooking options to be incorporated on the top which gives you the option between:

- All open burners
- All griddle
- Flame failure to open burners
- Combination of open burners and griddle

AVAILABLE MODELS

- GR4C – 4 open burners
- GR4C-3G – 2 open burners and 300mm griddle
- GR4C-G – Full 600mm griddle
- GR4C-FF – 4 open burners with flame failure



STANDARD FEATURES

- All stainless steel external panels
- Heavy duty cast burners
- Heavy duty cast trivets
- Rear castors
- Adjustable front feet
- Heavy duty cantilever drop down door
- Chrome oven shelves and side racks
- Large sized oven cavity
- Auto oven fan cut off

OPTIONAL FEATURES

- Flame failure safety devices

Specifications are subject to change without notice.

SPECIFICATIONS

GAS TYPE

Natural or LPG
(Specify when ordering)

GAS CONNECTION

¾" (BSP) female. All units supplied with regulators

GAS RATINGS

- GR4C @ 101MJ/hr
- GR4C-3G @ 87MJ/hr
- GR4C-G @ 73MJ/hr
- GR4C-FF @ 101MJ/hr

POWER SUPPLY

10A 240V

GLOBAL MARK APPROVAL NO

GA-102405-001

DIMENSIONS (MM)

Appliance: 650 x 795 x 1096
Oven Cavity: 480 x 545 x 420

GRIDDLE SURFACE

COOKING AREA (MM)

- 300 Griddle: 290 x 490
- 600 Griddle: 590 x 490

GRIDDLE THICKNESS (MM): 12

< CONFIDENCE IN QUALITY >
3 YEAR WARRANTY

All our products carry a 3 year warranty and will last a very long time if our care instructions are followed.
© Cookon is a member of the Langford Metal Industries Group, a Queensland company established 1955.

