



## Waffle Baker Belgian Double

*"Anvil's Belgian style waffle baker is ideal for use in kitchens, coffee shops, outdoor markets and ice cream parlours."*

### Model: WBA1002

#### APPLICATION

- Ideal for kitchens, coffee shops, fast food outlets, outdoor markets and ice cream parlours

#### CONSTRUCTION

- 4 x 500W high power heating elements
- Programmable heat and time setting
- Stainless Steel construction
- Digital read out display
- Buzzer timer alarm
- 180° rotating waffle plates

#### OPERATION

- Programmable heating and timing with audible timer alarm buzzer

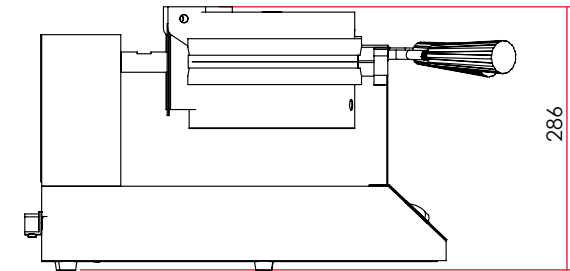
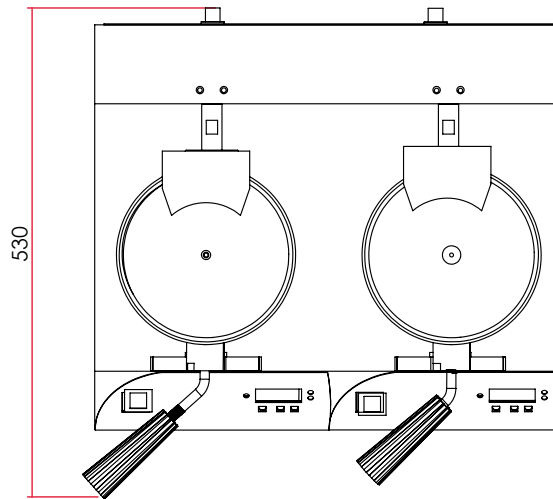
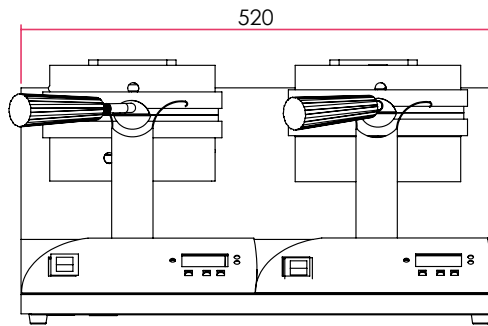


**ANVIL**

# AXIS



ALL ANVIL EQUIPMENT COMES WITH A ONE YEAR WARRANTY ON COMPONENTS AND DEFECTIVE WORKMANSHIP.



## DESCRIPTION

## BELGIAN WAFFLE BAKER DOUBLE PLATE

MODEL	WBA1002
POWER RATING (230V/50Hz)	2.0kW
DIMENSIONS (mm) (W x D x H)	520 x 530x 286
BOX DIMNS (mm) (W x D x H)	550 x 560 x 330
PACKED WEIGHT	18

- Unit available in 120V/60Hz configuration

# Model: WBA1002

NOTE: When viewing the appliance from the front in it's usual operating position, the width (W) of the product is the total distance from left to right; the depth (D) of the product is the total distance from the front to the back; the height (H) is the total distance from the of the product to the top.

**WA DEALER**  
**PRACTICAL PRODUCTS PTY LTD**

PH: 08 9302 1299  
51 Paramount Dr Wangara WA 6065  
sales@practicalproducts.com.au  
www.practicalproducts.com.au

**ANVIL**

# AXIS



Note: Output performance figures quoted are dependant on various factors

Anvil reserves the right, without notice, to make changes and revisions to product specifications, materials and design, which in our opinion, will provide better performance, durability and efficiency.