

Main Features

- Advanced visual control panel offers complete customization and versatility of all baking parameters
- Quickly reaches working temperature of 300°C in less than 30 minutes and 460° in less than 50 minutes
- Double glazed glass door along with sealing fiber chamber gas-kets & 80mm glass fiber insulation prevents burn, reduces any heat loss and allows the user to bake with the door open
- Economy mode forces the ceiling and floor resistors to switch on limiting the required power by 50%
- Fully constructed in high grade (AISI) 304 stainless steel
- Ergonomically designed for confined spaces and use of short shovel with the glass opening up and pull out sliding table
- Modular so can be stacked up to 3 units high



SPECIFICATIONS

Voltage	400 Volt AC 3/N/PE
	230 Volt AC 1/N/PE
Power	10,4 kW
Weight	192 kg
Plug Supplied	NO
Capacity	6 x 34cm tray
Thermostat	60-460°C
Warranty	4 Year Warranty (2 yr Labour 4 yr Parts)

DIMENSIONS

External Width	1485mm	Internal Width	1050mm
External Depth	1090mm	Internal Depth	700mm
External Height	425mm	Internal Height	155mm

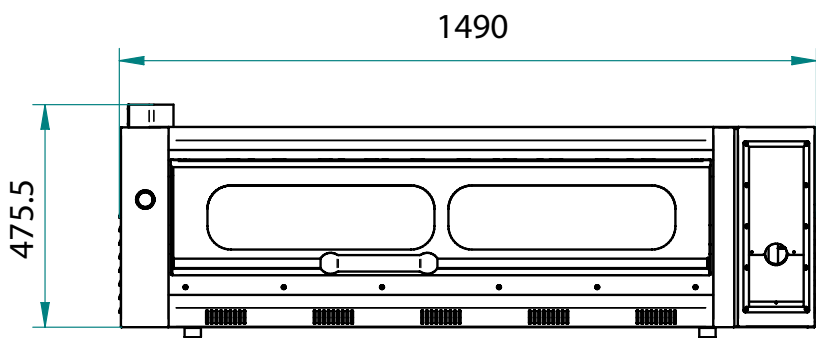
ACCESSORIES

Single Deck Stand	AFOPIEDAZ6NR1M
Double Deck Stand	AFOPIEDAZ6NR2M
Triple Deck Stand	AFOPIEDAZ6NR3M
Extractor Hood	AFOCAPKING6G
Double Door Proofer Insert	AFOCELUN

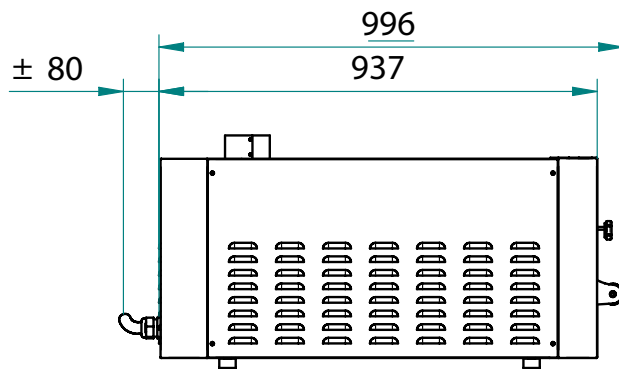
AZZURRO 6G

FORA6TR400A

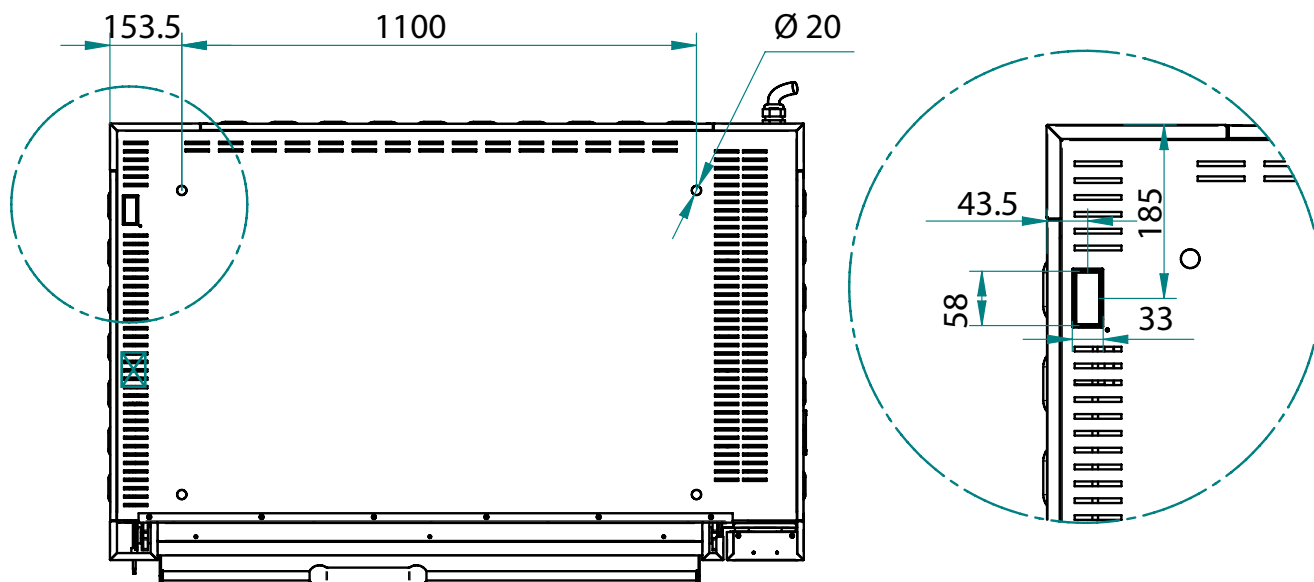
FRONT



SIDE



TOP



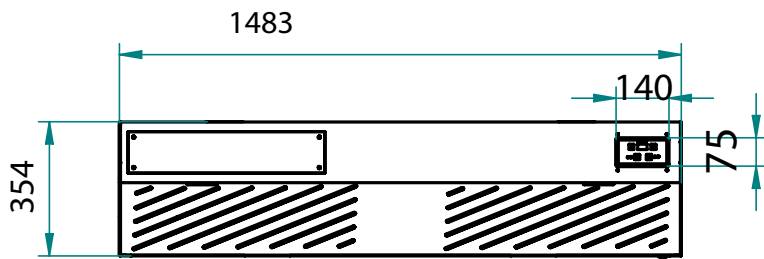
We reserve the right to alter specifications without notice.

AZZURRO 6G - EXTRACTOR HOOD

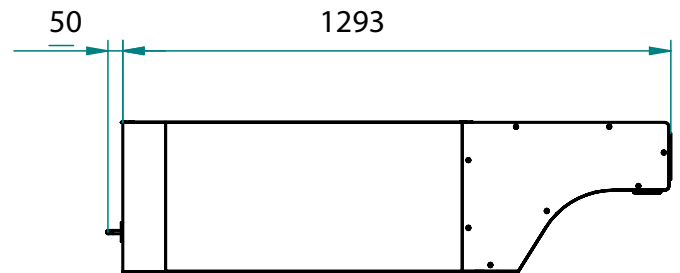
FORA6TR400A

AFOCAPKING6G

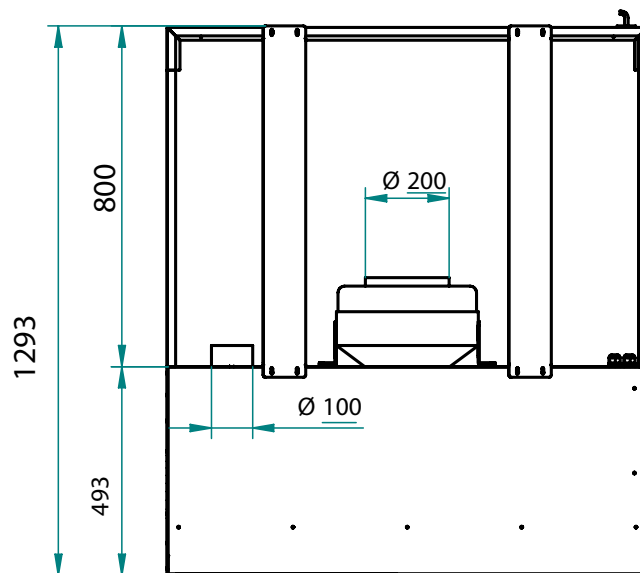
FRONT



SIDE



TOP



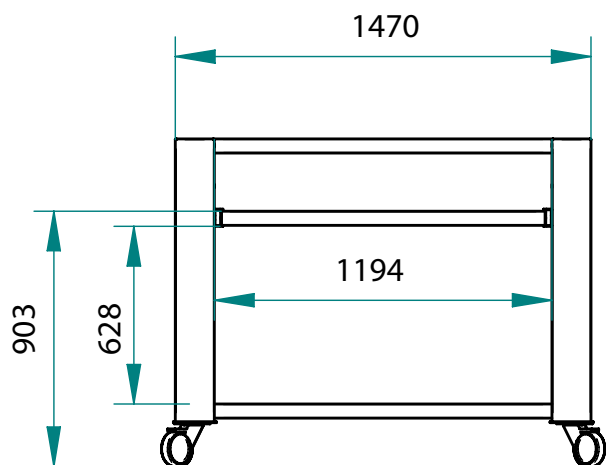
We reserve the right to alter specifications without notice.

AZZURRO 6G - SINGLE DECK STAND

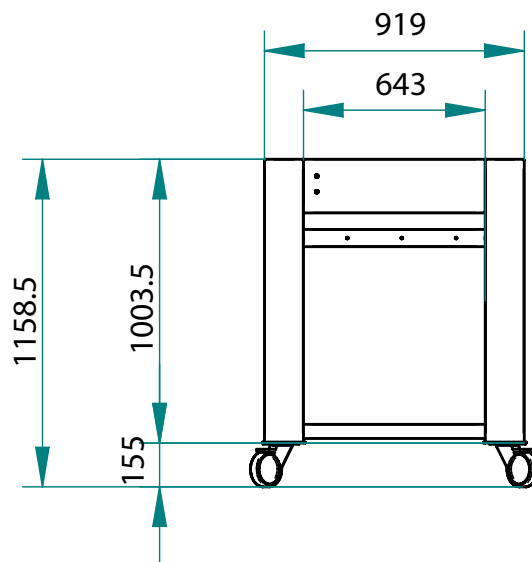
FORA6TR400A

AFOPIEDAZ6NR1M

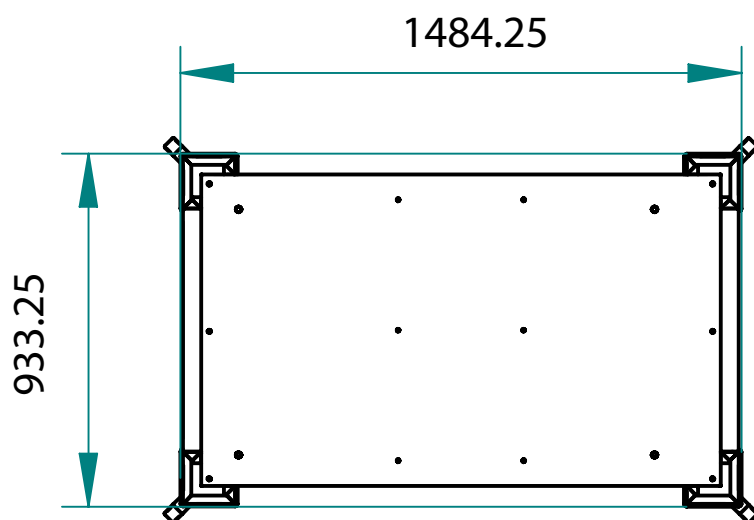
FRONT



SIDE



TOP



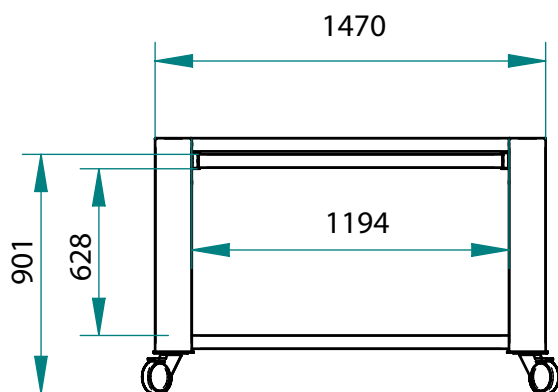
We reserve the right to alter specifications without notice.

AZZURRO 6G - DOUBLE DECK STAND

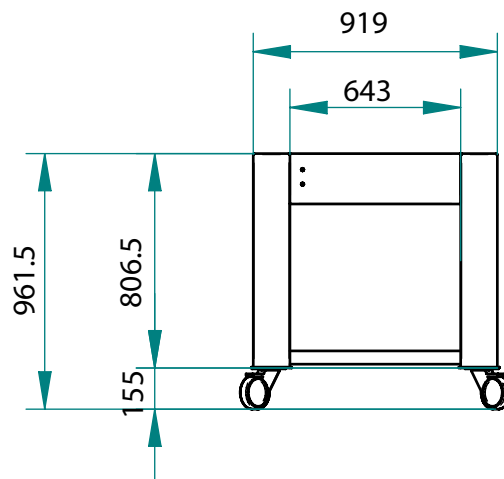
FORA6TR400A

AFOIEDAZ6NR2M

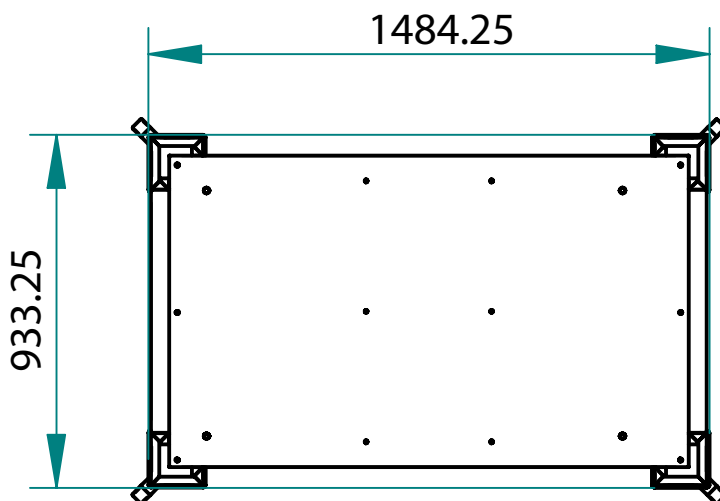
FRONT



SIDE



TOP



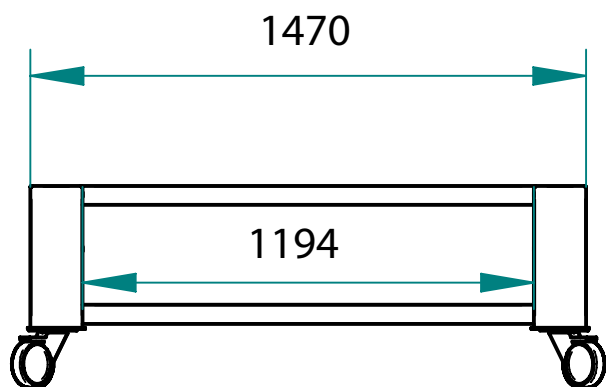
We reserve the right to alter specifications without notice.

AZZURRO 6G - TRIPLE DECK STAND

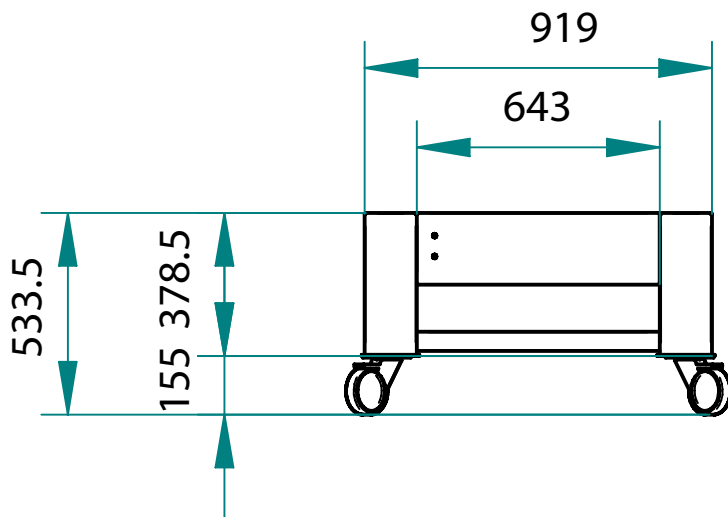
FORA6TR400A

AFOPIEDAZ6NR3M

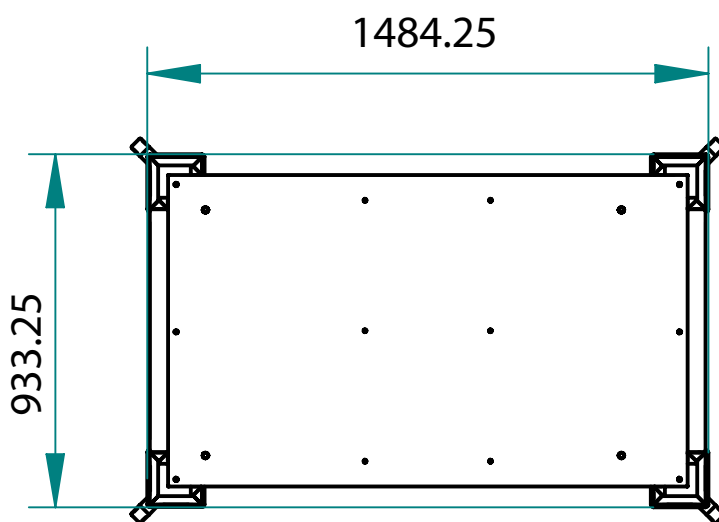
FRONT



SIDE



TOP



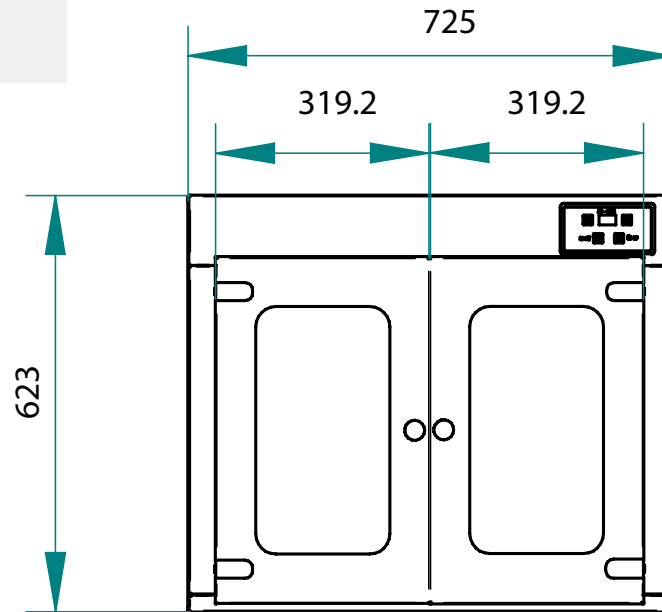
We reserve the right to alter specifications without notice.

AZZURRO 6G - DOUBLE DOOR PROOFER

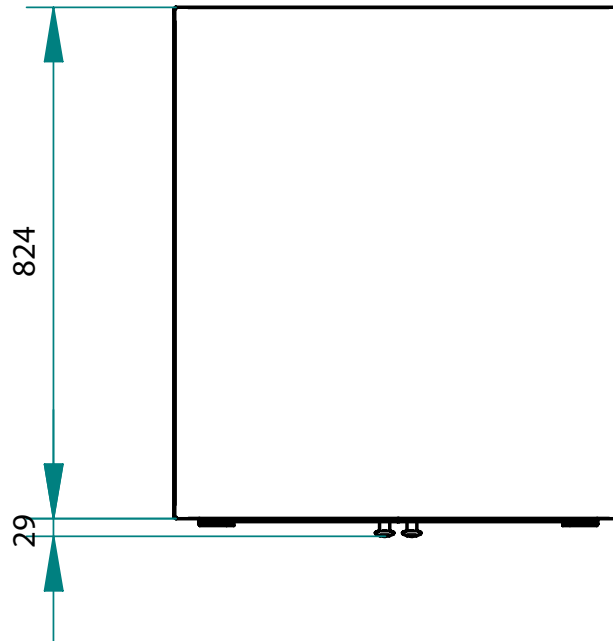
FORA6TR400A

AFOCELUN

FRONT



TOP



We reserve the right to alter specifications without notice.

WA DEALER
PRACTICAL PRODUCTS PTY LTD

PH: 08 9302 1299
51 Paramount Dr Wangara WA 6065
sales@practicalproducts.com.au
www.practicalproducts.com.au

